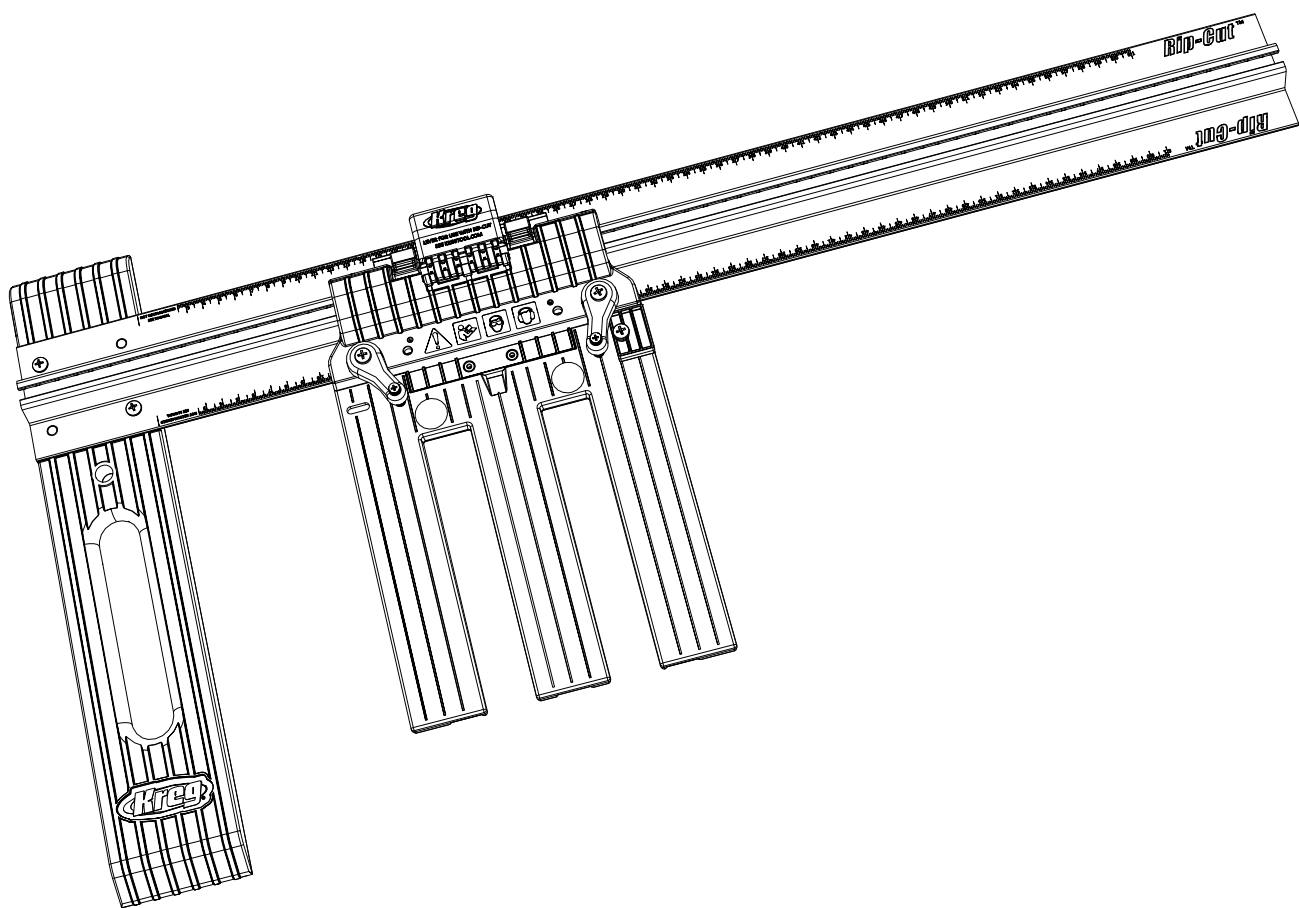


Rip-Cut™



Owner's Manual | Benutzerhandbuch | Guide d'utilisation | Manual del propietario

ITEM No. KMA2685-INT



NK9036
Version 2 - 02/2019

General Safety Guidelines

⚠ WARNING When using electric tools, always follow the safety precautions *below* to reduce the risk of fire, electric shock and personal injury. Read all of these instructions before attempting to operate this product. **SAVE THESE INSTRUCTIONS.**

1) Work area safety

- a) Keep work area clean and well lit. Cluttered or dark areas invite accidents.
- b) Don't use power tools in a dangerous environment. Don't use power tools in damp or wet locations, or expose them to rain.
- c) Do not operate power tools in explosive atmospheres, such as in the presence of flammable liquids, gases or dust. Power tools create sparks that can ignite the fumes or dust.
- d) Keep children and bystanders away while operating a power tool. Distractions can cause you to lose control.
- e) Make your workshop childproof. Use padlocks or master switches, or remove starter keys.

2) Electrical safety

- a) Earth electric tools. If the tool is equipped with a three-prong plug, it must only be plugged into an earthed three-hole electrical socket. If the proper socket is not available, have one installed by a qualified electrician. Never remove the third prong or modify the provided plug in any way.
- b) Do not expose power tools to rain or wet conditions. Water entering a power tool increases the risk of electric shock.
- c) Do not abuse the cord. Never use the cord for carrying, pulling or unplugging the power tool. Keep cord away from heat, oil, sharp edges and moving parts. Damaged or entangled cords increase the risk of electric shock.
- d) Use a proper extension cord and make sure it is in good condition. When using an extension cord, make sure that you use one that is heavy enough to carry the current your power tool draws. An undersized cord causes a drop in line voltage resulting in loss of power and overheating. Table 1 shows the correct cord gauge to use depending on cord length and tool nameplate ampere rating. If in doubt, use the next heavier gauge. The smaller the gauge number, the heavier the cord.
- e) When operating electric tools, avoid body contact with earthed surfaces such as pipes, radiators, kitchen hobs and refrigerators. Contact with an earthed surface increases the risk of electric shock.

3) Personal safety

- a) Stay alert, watch what you are doing and use common sense when operating a power tool. Do not use a power tool while you are tired or under the influence of drugs, alcohol or medication. A moment of inattention while operating power tools can result in serious personal injury.
- b) Always wear safety glasses. Everyday glasses are not safety glasses. Safety glasses have specially constructed lenses, frames and side shields.
- c) Use safety equipment. Use a face or dust mask when the cutting operation is dusty. Safety equipment such as a dust mask, non-skid safety shoes, hard hat or hearing protection used for appropriate conditions reduces personal injuries.
- d) Avoid accidental starting. Make sure the switch is in the off-position before plugging in. Carrying power tools with your finger on the switch or plugging in power tools that have the switch on invites accidents.
- e) Remove any adjusting key or wrench before turning the power tool on. A wrench or a key left attached to a rotating part of the power tool can result in personal injury.
- f) Do not overreach. Keep proper footing and balance at all times. This enables better control of the power tool in unexpected situations.
- g) Secure workpieces. Use clamps or a vice to hold work when practical. This is safer than using your hand and it frees both hands to operate the tool.
- h) Never stand on the machine. Serious injury can occur if the tool tips or if the cutting tool is unintentionally contacted.

- i) Dress properly. Do not wear loose clothing or jewellery. Keep your hair, clothing and gloves away from moving parts. Loose clothes, jewellery or long hair can be caught in moving parts. Roll up long sleeves to the elbow. Wear protective hair covering to contain long hair.
- j) If devices are provided for the connection of dust extraction and collection equipment, ensure these are connected and properly used. Use of these devices reduces dust-related hazards.

4) Power tool use and care

- a) Keep guards in place and in working order.
- b) Do not force the power tool. Use the correct power tool for your application. The correct power tool will do the job better and more safely at the rate for which it was designed.
- c) Use the right tool. Don't force a tool or attachment to do a job for which it was not designed.
- d) Do not use the power tool if the switch does not turn it on and off. Any power tool that cannot be controlled with the switch is dangerous and must be repaired.
- e) Disconnect the plug from the power source and/or the battery pack from the power tool before making any adjustments, changing accessories or storing power tools. Such preventive safety measures reduce the risk of starting the power tool accidentally.
- f) Never leave a tool running unattended. Turn power off. Do not leave the tool until it has come to a complete stop.
- g) Store idle power tools out of the reach of children and do not allow persons unfamiliar with the power tool and these instructions to operate the power tool. Power tools are dangerous in the hands of untrained users.
- h) Maintain power tools. Check for misalignment or binding of moving parts, broken parts and any other condition that can affect power tool operation. If damaged, have the power tool repaired before use. Many accidents are caused by poorly maintained power tools.
- i) Keep cutting tools sharp and clean. Properly maintained cutting tools with sharp cutting edges are less likely to bind and are easier to control.
- j) Use the recommended speed for the cutting tool or accessory and workpiece material.
- k) Only use parts and accessories recommended by the manufacturer. Consult the owner's manual for recommended accessories. Using improper accessories can cause personal injury.
- l) Use the power tool, accessories and tool bits in accordance with these instructions and in the manner intended for the particular type of power tool, taking into account the working conditions and the work to be performed. Use of the power tool for operations different from those intended can result in a hazardous situation.

5) Service

- a) Have your power tool serviced by a qualified repair person using only identical replacement parts. This ensures that the safety of the power tool is maintained.

6) SAFETY INSTRUCTIONS SPECIFIC TO USING THE RIP-CUT™

- a) Before using the Rip-Cut™, read, understand and follow the safety warnings and operation instructions included with this product and provided by your saw manufacturer. Keep all guards and safety devices in place.
- b) Wear correct eye, ear and respiratory protection when operating your saw.
- c) Use a sharp blade designed for the type of material you are cutting.
- d) Always disconnect your saw from power before making adjustments to the saw or Rip-Cut™.

General Safety Guidelines

- e) Check the cursor alignment before you cut.
- f) Ensure that the saw blade will not contact the edge guide during the cut.
- g) Do not attempt a cut when any part of the Rip-Cut™ sled interferes with the operation of the saw blade guard.
- h) Fully support both the workpiece and the cut-off piece to prevent binding and kickback.
- i) Adjust the depth of cut so that the saw blade protrudes 1/8" [3 mm] through the workpiece during the cut.
- j) Keep your hands away from the saw blade during operation. Do not reach under the workpiece while cutting.
- k) Secure your workpiece to ensure that it doesn't move during the cut.
- l) Do not use excessive force when cutting. Maintain a steady and controlled pace.
- m) Allow the saw blade to come to a complete stop before lifting the Rip-Cut from your workpiece.
- n) Maintain your tools and accessories. Check for misalignment or binding of moving parts, loose fasteners, broken parts and any other condition that may affect safe operation. If an unsafe condition is discovered, correct it before use.

7) Kickback

Kickback is a sudden reaction to a pinched, bound or misaligned saw blade, causing an uncontrolled saw to lift up and out of the workpiece towards the operator.

8) Causes of kickback

- a) When the blade is pinched or bound tightly by the kerf closing in, the blade stalls and the motor reaction drives the unit rapidly back towards the operator.
- b) If the blade becomes twisted or misaligned in the cut, the teeth at the back edge of the blade can dig into the top surface of the wood causing the blade to climb out of the kerf and propel the saw back towards the operator.

Preventing kickback

Kickback is the result of tool misuse and/or incorrect operating procedures or conditions and can be avoided by taking proper precautions.

- a) Maintain a firm grip with both hands on the saw and position your body and arms to resist kickback forces. Kickback forces can be controlled by the operator if proper precautions are taken.
- b) When the blade starts to bind, or when interrupting a cut for any reason, release the trigger and hold the saw motionless in the material until the blade comes to a complete stop. Never attempt to remove the saw from the work or pull the saw backwards while the blade is in motion. Investigate and take corrective actions to eliminate the cause of blade binding.

c) When restarting a saw in the workpiece, centre the saw blade in the kerf and check that the saw teeth are not engaged in the material. If the saw blade is binding, the blade may climb out of the workpiece and kick back as the saw is restarted.

d) Support large panels to minimise the risk of blade pinching and kickback. Large panels tend to sag under their own weight. Supports must be placed under the panel on both sides of the cut: near the outline and near the edge of the panel.

e) Do not use a dull or damaged blade. A dull or improperly sharpened blade produces a narrow kerf, causing excessive friction, blade binding and kickback.

f) Blade depth and bevel adjusting locks must be tight and secure before making a cut. If blade adjustment shifts while cutting, it may cause binding and kickback.

g) Use extra caution when making a plunge cut into existing walls, floors or other blind areas. The protruding blade may come into contact with unseen objects that can cause kickback.

Guidelines for extension cord use

Extension cords are only to be used for temporary purposes. They do not replace the need for installation of sockets and proper wiring where necessary.

In the workshop and on construction sites:

1. Extension cords with an equipment earthing conductor must be used at all times.
2. Extension cords must be protected from damage, and not run through doorways or windows where the doors or windows can close, causing damage to the cord.
3. Extension cords must be a minimum of 16 AWG and be rated for the equipment in use.
4. Extension cords must be periodically inspected to ensure that the insulation and conductivity of the wires are not compromised.
5. Extension cords should not be run through water or allowed to have connections that may be exposed to accumulated water.

TABLE 1

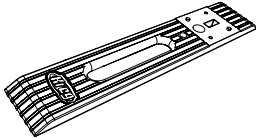
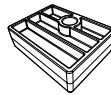


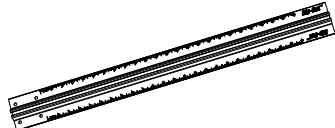


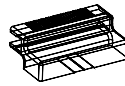
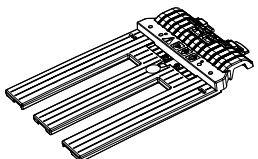




Nameplate Amperes @120 V	Extension Cord Length					
	25'	50'	75'	100'	150'	200'
	Recommended Wire Gauge					
0 -5	16	16	16	14	12	12
5.1 - 8	16	16	14	12	10	NR
8.1 -12	14	14	12	10	NR	NR
12.1 - 16	12	12	NR	NR	NR	NR

NR – Not Recommended

⚠ WARNING: This product can expose you to chemicals including Acrylonitrile and other chemicals, which are known to the State of California to cause cancer and reproductive harm. For more information, go to www.P65Warnings.ca.gov.

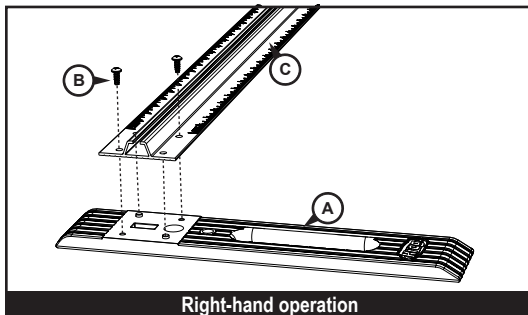
Rip-Cut Components

Rip-Cut (KMA2685-INT) Parts

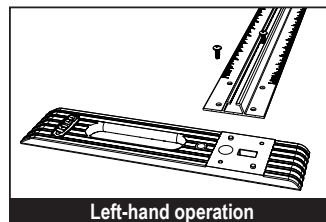
A		1	Edge guide	H		1	Indexing stop
B		2	Self-tapping screws	I		3	Machine screws
C		1	Rail	J		3	Hex nuts
D		1	Filler strip	K		1	Cursor
E		1	Sled	L		1	Wedge
F		2	Set screws	M		1	Handle
G		2	Base-plate clamps				

Assembly

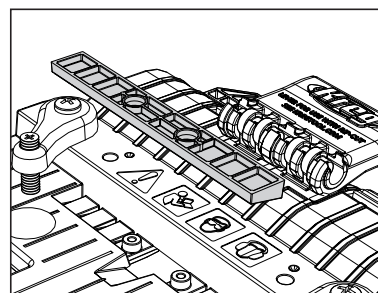
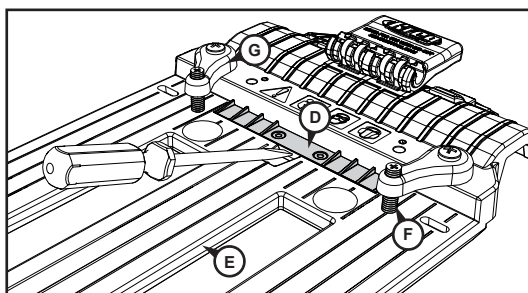
Step 1: Connect the Edge Guide to the Rail



Remove the clear tape covering the recess in the edge guide (A), remove the two self-tapping screws (B), and use them to secure the edge guide to the rail (C). Orient the edge guide for right-hand or left-hand operation as shown.



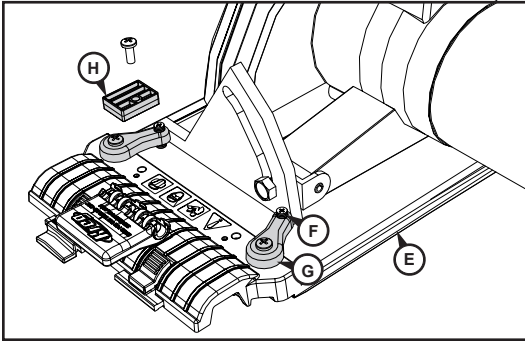
Step 2: Orient the Filler Strip



The filler strip (D) on the sled (E) is supplied with the angled ribs facing up. These ribs support a saw base with an angled leading edge, keeping the saw base flat on the sled when the set screws (F) in the base-plate clamps (G) are tightened. For a saw base with a flat leading edge, lift the filler strip from the sled recess with the tip of a screwdriver, turn it over to expose the flat face and press it into the recess.

Assembly

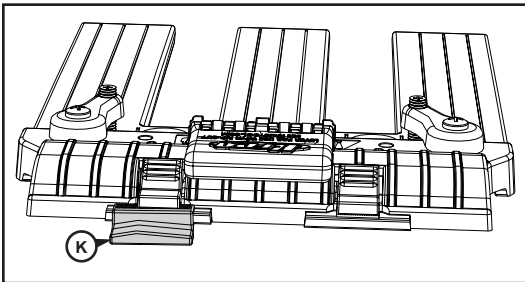
Step 3: Mount your Circular Saw on the Sled



Remove the indexing stop (H) from the sled (E). Loosen the set screws (F) in the base-plate clamps (G) and slide your saw base plate under them. Position the saw on the sled with the front of the saw base plate against the step at the front of the sled. For saws with the blade on the left-hand end of the motor, centre the blade in the left sled slot. For saws with the blade on the right-hand end of the motor, centre the blade in the right sled slot. To accommodate different saw base-plate configurations, there are two holes for attaching each base-plate clamp to the sled. For the most secure clamping, choose the holes that provide the widest spacing allowed by your saw. The clamps can be oriented at an angle. Tighten the set screws onto the saw base plate to securely hold the saw but do not over-tighten. Make sure the saw-blade guard operates freely.

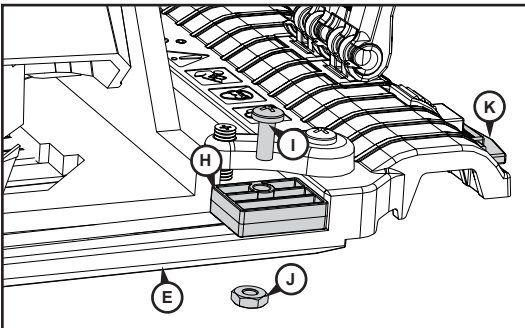
⚠ WARNING Disconnect the saw from power before mounting it on the sled.

Step 4: Check the Position of the Cursor



There are two positions on the sled for the cursor (K) that correspond to the two sled slots. Position the cursor in the holder in front of the saw blade. To switch cursor position, press down on the holder lock, slide the cursor out of the holder and reinstall it in the other holder.

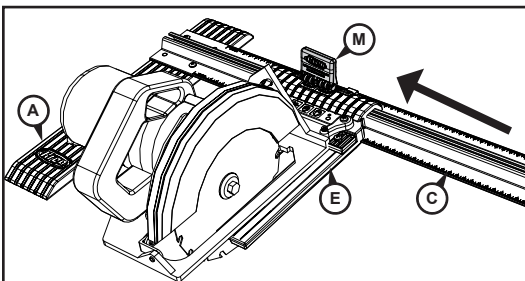
Step 5: Reinstall the Indexing Stop



The indexing stop (H) allows you to remove the saw from the sled assembly and then re-mount it in exactly the same position. Place the indexing stop against the side of the saw base on the same side as the cursor (K) and secure it to the sled (E) with the machine screw (I) and nut (J). For maximum positioning flexibility, the sled is slotted and the indexing stop rotates 180°.

⚠ ATTENTION The sled assembly is equipped with features that are functional on the Kreg® Accu-Cut™ family of products. Additional steps, found in the Accu-Cut product manuals are required to calibrate the sled for use on Accu-Cut products.

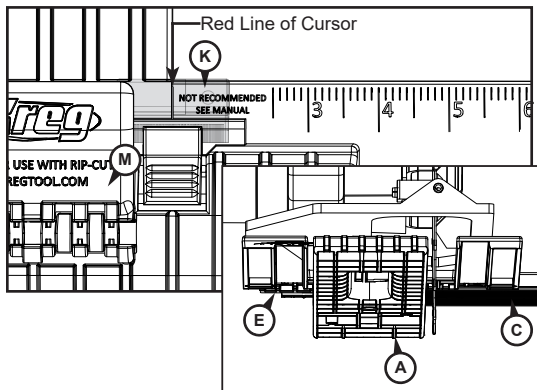
Step 6: Slide the Sled onto the Rail



With your saw clamped to the sled (E), raise the handle (M) to the upright position and slide the sled onto the rail (C), inserting the wedge (L) into the rail channel. The saw and edge guide (A) should extend from the same edge of the rail.

Assembly

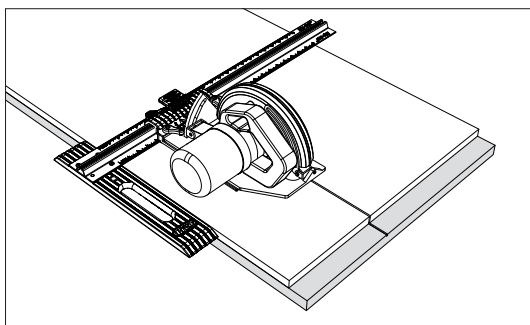
Step 7: Align the Cursor and Determine the Narrowest Cut



Rotate the saw blade guard up and slide the sled (E) along the rail (C) until the blade just touches the edge guide (A). Lock the sled in place by pressing down on the handle (M). The handle does not need to be completely horizontal to lock securely. Press down on the cursor lock and align the red cursor (K) with the zero mark on the rail scale. The minimum safe cut may be greater than 25mm [1"].

⚠ WARNING On the scale, the area between zero and 25mm [1"] is marked **Not Recommended, See Manual**. On most saws, the edge guide interferes with blade-guard operation on cuts of less than 25mm [1"], so these cuts should not be attempted. After aligning the cursor, verify the minimum safe cut width by moving the sled away from the edge guide until the blade guard functions without interference.

Using your Rip-Cut™

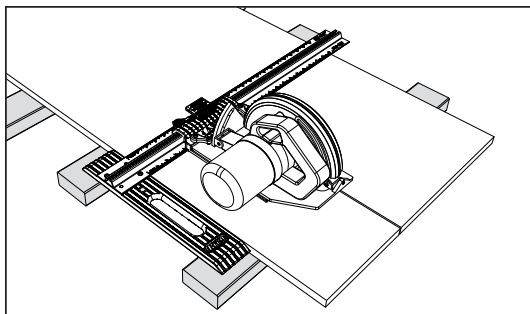


1) For the best results, install a 40-tooth blade or better on your saw.

2) With the saw mounted on the sled, adjust the depth of cut so the blade will protrude 3mm [$\frac{1}{8}$ "] through the workpiece during the cut.

3) Release the wedge lock and slide the sled along the rail until the cursor aligns with the desired dimension on the scale. Engage the wedge lock.

4) Completely support the workpiece and cutoff with 2x4s or 50mm [2"]-thick rigid foam insulation laid flat on the floor.



5) Connect your saw to power. With one hand on the edge guide and the other holding the saw, press the edge guide against the edge of your workpiece and make your cut, moving the edge guide and saw forward at the same speed throughout the entire cut. Allow the saw blade to come to a complete stop before lifting the Rip-Cut™ from the workpiece.

⚠ WARNING When making narrow cuts, make sure the hand holding the edge guide does not come into contact with the blade.

Allgemeine Sicherheitshinweise

! WARNUNG Befolgen Sie bei der Benutzung elektrischer Werkzeuge stets die *unten aufgeführten* Sicherheitshinweise, um das Brand-, Stromschlag- und Verletzungsrisiko zu reduzieren. Lesen Sie diese Anweisungen vollständig durch, bevor Sie versuchen, das Gerät zu bedienen. **BEWAHREN SIE DIESE ANWEISUNGEN AUF.**

1) Arbeitsplatzsicherheit

- Sorgen Sie dafür, dass der Arbeitsbereich stets sauber und gut beleuchtet ist. Unordentliche oder dunkle Bereiche begünstigen Unfälle.
- Verwenden Sie Elektrowerkzeug nicht in gefährlichen Umgebungen. Verwenden Sie Elektrowerkzeug nicht an feuchten oder nassen Orten, und setzen Sie es keinesfalls Regen aus.
- Verwenden Sie Elektrowerkzeug nicht in explosiver Atmosphäre wie zum Beispiel in Gegenwart entzündlicher Flüssigkeiten, Gase oder Stäube. Elektrowerkzeug erzeugt Funken, die Dämpfe oder Staub entzünden können.
- Halten Sie Kinder und Zuschauer fern, wenn Sie mit einem Elektrowerkzeug arbeiten. Ablenkungen können dazu führen, dass Sie die Kontrolle über das Werkzeug verlieren.
- Machen Sie Ihre Werkstatt kindersicher. Verwenden Sie Vorhängeschlösser und Generalschalter bzw. entfernen Sie Zündschlüssel.

2) Elektrische Sicherheit

- Erden Sie Elektrowerkzeug. Wenn das Werkzeug mit einem Schutzkontaktstecker ausgestattet ist, darf es nur mit geerdeten Schutzkontaktsteckdosen verbunden werden. Wenn keine geeignete Steckdose verfügbar ist, lassen Sie eine solche durch einen qualifizierten Elektriker installieren. Entfernen Sie niemals den dritten Stift, und verändern Sie den mitgelieferten Stecker in keiner Weise.
- Setzen Sie Elektrowerkzeug keinesfalls Regen oder Feuchtigkeit aus. In das Elektrowerkzeug eindringendes Wasser erhöht das Risiko eines Stromschlags.
- Das Kabel darf nicht zweckentfremdet werden. Verwenden Sie das Kabel nie zum Tragen oder Ziehen des Werkzeugs oder zum Ziehen des Steckers des Elektrowerkzeugs. Halten Sie das Kabel von Hitze, Öl, scharfen Kanten und beweglichen Teilen fern. Beschädigte oder verwickelte Kabel erhöhen das Risiko eines Stromschlags.
- Verwenden Sie ein geeignetes Verlängerungskabel und stellen Sie sicher, dass dieses in gutem Zustand ist. Achten Sie bei der Verwendung eines Verlängerungskabels darauf, dass es stark genug ist, um den Strom zu leiten, den Ihr Werkzeug benötigt. Ein zu schwaches Kabel verursacht ein Abfallen der Leitungsspannung, das zu einem Leistungsverlust und zu Überhitzung führt. Tabelle 1 gibt den korrekten Kabeldurchmesser je nach Kabellänge und Nennspannung des Werkzeugs an. Verwenden Sie im Zweifelsfall den nächstgrößeren Kabeldurchmesser. Je geringer die Lehrenummer, desto stärker das Kabel.
- Vermeiden Sie während der Arbeit mit Elektrowerkzeug Körperkontakt mit geerdeten Oberflächen wie Rohren, Heizkörpern, Küchenherden und Kühlschränken. Der Kontakt mit einer geerdeten Oberfläche erhöht das Risiko eines Stromschlags.

3) Personensicherheit

- Seien Sie stets aufmerksam, achten Sie darauf, was Sie tun, und nutzen Sie bei der Arbeit mit einem Elektrowerkzeug Ihren gesunden Menschenverstand. Arbeiten Sie nicht mit Elektrowerkzeug, wenn Sie müde sind oder unter dem Einfluss von Drogen, Alkohol oder Medikamenten stehen. Ein Augenblick der Unachtsamkeit während der Arbeit mit einem Elektrowerkzeug kann zu schweren Verletzungen führen.
- Tragen Sie stets eine Schutzbrille. Brillen für den Alltagsgebrauch sind keine Schutzbrillen. Schutzbrillen haben speziell angefertigte Gläser, Rahmen und Seitenabschirmungen.
- Verwenden Sie Sicherheitsausrüstung. Verwenden Sie eine Gesicht- oder Staubmaske, wenn der Schneidvorgang Staub erzeugt. Sicherheitsausrüstung wie Schutzmaske, rutschfeste Sicherheitsschuhe, Helm und Ohrschützer, die für die entsprechenden Arbeitsumstände genutzt werden, reduzieren das Verletzungsrisiko.
- Vermeiden Sie ein unbeabsichtigtes Starten des Geräts. Achten Sie darauf, dass der Schalter auf „Aus“ steht, bevor Sie das Werkzeug an die Steckdose anschließen. Das Tragen von Elektrowerkzeug mit dem Finger auf dem Schalter oder das Anschließen von eingeschaltetem Elektrowerkzeug begünstigt Unfälle.
- Entfernen Sie alle Einstell- oder Schraubenschlüssel, bevor Sie das Elektrowerkzeug einschalten. Ein an einem rotierenden Teil eines Elektrowerkzeugs verbleibender Schraubenschlüssel kann zu Verletzungen führen.
- Lehnen Sie sich nicht zu weit vor. Sorgen Sie jederzeit für einen

sicheren Stand und Gleichgewicht. Dies ermöglicht eine bessere Kontrolle über das Elektrowerkzeug in unerwarteten Situationen.

- Sichern Sie die Werkstücke. Verwenden Sie wenn möglich Spannzwingen oder einen Schraubstock, um das Werkstück festzuhalten. Dies ist sicherer, als es in der Hand zu halten, und lässt beide Hände für die Bedienung des Werkzeugs frei.
 - Stellen Sie sich niemals auf die Maschine. Wenn das Werkzeug umkippt oder das Schneidwerkzeug versehentlich berührt wird, kann dies zu schweren Verletzungen führen.
 - Tragen Sie angemessene Kleidung. Tragen Sie keine lose Kleidung oder Schmuck. Halten Sie Ihre Haare, Ihre Kleidung und Ihre Handschuhe von beweglichen Teilen fern. Lose Kleidung, Schmuck oder lange Haare können sich in beweglichen Teilen verfangen. Krempeln Sie lange Ärmel bis zum Ellbogen hoch. Tragen Sie einen geeigneten Kopfschutz, um lange Haare zusammenzuhalten.
 - Wenn Staubabsaug- und -auffangeinrichtungen bereitgestellt werden, vergewissern Sie sich, dass diese angeschlossen sind und richtig verwendet werden. Die Verwendung solcher Geräte verringert Gefährdungen durch Staub.
- ## 4) Verwendung und Behandlung des Elektrowerkzeugs
- Halten Sie Schutzvorrichtungen an ihrem Platz und in gutem Zustand.
 - Überlasten Sie das Gerät nicht. Verwenden Sie für Ihre Arbeit das dafür bestimmte Elektrowerkzeug. Mit dem passenden Elektrowerkzeug arbeiten Sie besser und sicherer im angegebenen Leistungsbereich.
 - Verwenden Sie das richtige Werkzeug. Zwingen Sie ein Werkzeug oder einen Aufsatz nicht zu Arbeiten, für die sie nicht vorgesehen sind.
 - Verwenden Sie das Elektrowerkzeug nicht, wenn es mit dem Schalter nicht ein- und ausgeschaltet werden kann. Jedes Elektrowerkzeug, das nicht über den Schalter bedient werden kann, ist gefährlich und muss repariert werden.
 - Trennen Sie den Stecker von der Stromquelle und/oder den Akku vom Elektrowerkzeug, bevor Sie Einstellungen vornehmen, Zubehör austauschen oder das Elektrowerkzeug lagern. Diese Vorsichtsmaßnahmen reduzieren das Risiko eines unbeabsichtigten Startens des Elektrowerkzeugs.
 - Lassen Sie das Werkzeug niemals unbeaufsichtigt in Betrieb. Schalten Sie den Strom aus. Entfernen Sie sich nie vom Werkzeug, ehe es vollständig zum Stillstand gekommen ist.
 - Bewahren Sie nicht benutztes Elektrowerkzeug außerhalb der Reichweite von Kindern auf, und lassen Sie Personen, die nicht mit dem Elektrowerkzeug und dieser Anleitung vertraut sind, das Gerät nicht bedienen. Elektrowerkzeuge sind in den Händen ungeübter Benutzer gefährlich.
 - Warten Sie Elektrowerkzeuge ordnungsgemäß. Prüfen Sie die Geräte auf falsch ausgerichtete oder blockierte bewegliche Elemente, beschädigte Elemente oder andere Zustände, die sicheres Arbeiten beeinträchtigen könnten. Falls das Elektrowerkzeug beschädigt ist, lassen Sie es vor der Verwendung reparieren. Viele Unfälle werden durch schlecht gewartetes Elektrowerkzeug verursacht.
 - Halten Sie Schneidwerkzeuge scharf und sauber. Ordnungsgemäß gewartetes Schneidwerkzeug mit scharfen Schneidekanten frisst sich nicht so leicht fest und ist einfacher zu bedienen.
 - Wählen Sie die Geschwindigkeit, die für das Schneidwerkzeug oder -zubehör und das Werkstückmaterial empfohlen wird.
 - Verwenden Sie nur Teile und Zubehör, die vom Hersteller empfohlen werden. Informieren Sie sich im Benutzerhandbuch über das empfohlene Zubehör. Die Verwendung ungeeigneten Zubehörs kann zu Verletzungen führen.
 - Verwenden Sie das Werkzeug, das Zubehör und die Werkzeugeinsätze gemäß dieser Anleitung und auf die Weise, die unter Berücksichtigung der Arbeitsbedingungen und der auszuführenden Arbeiten für die jeweilige Art von Elektrowerkzeug vorgesehen ist. Die Verwendung des Elektrowerkzeugs für andere als die vorgesehenen Tätigkeiten kann zu gefährlichen Situationen führen.
- ## 5) Wartung
- Lassen Sie Ihre Elektrowerkzeuge von einem qualifizierten Mechaniker unter ausschließlicher Verwendung identischer Ersatzteile warten. So gewährleisten Sie die dauerhafte Sicherheit Ihres Elektrowerkzeugs.
- ## 6) SPEZIELLE SICHERHEITSHINWEISE FÜR DEN GEBRAUCH DES RIP-CUT™
- Bevor Sie den Rip-Cut™ nutzen, lesen, verstehen und befolgen Sie die Sicherheitswarnungen und Benutzungsanweisungen, die diesem

Allgemeine Sicherheitshinweise

Produkt beigelegt sind, sowie die des Sägenherstellers. Belassen Sie alle Schutzelemente und -vorrichtungen an ihrem Platz.

- b) Tragen Sie während des Bedienens der Säge geeigneten Augen-, Ohren- und Atemschutz.
- c) Nutzen Sie ein scharfes Sägeblatt, das für das zu schneidende Material geeignet ist.
- d) Trennen Sie die Säge stets von der Stromversorgung, bevor Sie Einstellungen an der Säge oder am Rip-Cut™ vornehmen.
- e) Überprüfen Sie die Ausrichtung des Positionsmarkers, bevor Sie sägen.
- f) Stellen Sie sicher, dass das Sägeblatt während des Sägens nicht in Kontakt mit der Kantenführung kommt.
- g) Unternehmen Sie keine Sägeversuche, wenn Teile der Schlittenvorrichtung des Rip-Cut™ die Beweglichkeit des Sägeblattschutzes stören.
- h) Achten Sie darauf, dass sowohl das Werkstück als auch der Verschnitt korrekt gestützt sind, um Einklemmen und Rückschlag zu verhindern.
- i) Stellen Sie die Schnitttiefe so ein, dass das Sägeblatt 3 mm ($\frac{1}{8}$ Zoll) über das Werkstück hinausragt.
- j) Halten Sie während der Arbeit die Hände vom Sägeblatt fern. Greifen Sie während des Schneidens nicht unter das Werkstück.
- k) Befestigen Sie das Werkstück, damit es sich während des Sägens nicht bewegt.
- l) Verwenden Sie nicht allzu viel Kraft zum Sägen. Behalten Sie ein gleichmäßiges und kontrolliertes Tempo bei.
- m) Warten Sie, bis das Sägeblatt komplett zum Stillstand kommt, bevor Sie den Rip-Cut vom Werkstück heben.
- n) Halten Sie Geräte und Zubehör instand. Prüfen Sie die Geräte auf falsch ausgerichtete oder verklemmte bewegliche Elemente, gelöste Verschlüsse, defekte Elemente oder andere Zustände, die den sicheren Betrieb beeinträchtigen könnten. Entdecken Sie einen Zustand, der die Sicherheit gefährdet, bringen Sie ihn vor Benutzung in Ordnung.

7) Rückschlag

Als Rückschlag bezeichnet man eine plötzliche Reaktion auf ein eingeklemmtes, festgelaufenes oder falsch ausgerichtetes Sägeblatt, bei der sich das Sägeblatt aus dem Werkstück herausbewegt und unkontrolliert zur Bedienperson hin nach oben schlägt.

8) Ursachen für Rückschlag

- a) Wenn das Blatt durch den sich nähernden Schnittpalt eingeklemmt wird oder festläuft, blockiert das Sägeblatt und die Motorreaktion schiebt das Gerät schnell zurück zum Bediener.
- b) Wenn das Sägeblatt im Schnitt verdreht oder falsch ausgerichtet wird, können sich die Zähne an der Hinterkante des Sägeblattes in die Holzoberfläche fressen, so dass das Blatt sich aus dem Schnittpalt bewegt und die Säge zurück zum Bediener geschoben wird.

Rückschlag verhindern

Ein Rückschlag ist die Folge von Werkzeugmissbrauch und/oder falschen Betriebsverfahren oder -bedingungen und kann durch entsprechende Vorsichtsmaßnahmen vermieden werden.

- a) Halten Sie die Säge mit beiden Händen fest und positionieren Sie Ihren Körper und Ihre Arme so, dass Sie Rückschlagkräften standhalten können.

Rückschlagkräfte können durch den Bediener kontrolliert werden, wenn entsprechende Sicherheitsmaßnahmen ergriffen wurden.

b) Wenn das Sägeblatt beginnt festzulaufen oder der Schneidvorgang aus irgendeinem Grund unterbrochen wird, lassen Sie den Abzugshebel los und halten Sie die Säge im Material, ohne diese zu bewegen, bis das Sägeblatt vollständig zum Stillstand kommt. Versuchen Sie nie, die Säge aus dem Werkstück heraus oder nach hinten zu ziehen, während das Sägeblatt in Bewegung ist. Untersuchen Sie das Problem und ergreifen Sie Korrekturmaßnahmen, um die Ursache des verklemmten Sägeblatts zu beseitigen.

c) Zentrieren Sie beim Neustart einer Säge im Werkstück das Sägeblatt im Schnittpalt und überprüfen Sie, dass die Sägezähne nicht im Material stecken. Ist das Sägeblatt festgelaufen, kann sich die Säge aus dem Werkstück herausbewegen und beim Neustart einen Rückschlag verursachen.

d) Stützen Sie große Platten gut ab, um das Risiko eines verklemmten Sägeblatts und eines Rückschlags zu verhindern. Große Platten neigen dazu, sich durch ihr Eigengewicht zu biegen. Daher müssen unter der Platte auf beiden Seiten des Schnitts Stützen angebracht werden: im Bereich der Schnittlinie und des Plattenrands.

e) Verwenden Sie keine stumpfen oder beschädigten Sägeblätter. Stumpfe oder nicht ausreichend geschärfte Sägeblätter verursachen einen schmalen Schnittpalt, übermäßige Reibung, ein Festlaufen des Sägeblatts und Rückschlag.

f) Die Verstellerschlösser für Sägeblatt und Abschrägung müssen fest und sicher sein, bevor ein Schnitt durchgeführt wird. Eine Verstellung der Sägeblatteinstellung beim Schneiden kann zu Festlaufen und Rückschlag führen.

g) Gehen Sie beim Tauchsägen in bestehende Wände, Böden oder andere öffnungslose Flächen besonders vorsichtig vor. Das eindringende Sägeblatt kann nicht sichtbare Gegenstände berühren und einen Rückschlag verursachen.

Richtlinien für den Gebrauch von Verlängerungskabeln

Verlängerungskabel dürfen nur vorübergehend verwendet werden. Sie können keine Installation von Steckdosen und eine ordnungsgemäße Verkabelung ersetzen, wenn diese erforderlich sind.

Für die Werkstatt und auf Baustellen gilt:

1. Es dürfen nur Verlängerungskabel mit einem Schutzleiter verwendet werden.
2. Verlängerungskabel müssen vor Beschädigungen geschützt werden und dürfen nicht durch Türen oder Fenster verlegt werden, wenn die Türen oder Fenster geschlossen werden und das Kabel beschädigen können.
3. Verlängerungskabel müssen mindestens 16 AWG (Durchmesser 1,31 mm²) haben und für das damit verwendete Gerät geeignet sein.
4. Verlängerungskabel müssen regelmäßig überprüft werden, um sicherzustellen, dass die Isolierung und die Leitfähigkeit der Kabel nicht beeinträchtigt werden.
5. Verlängerungskabel dürfen nicht durch Wasser geführt werden. Ihre Anschlüsse dürfen keinesfalls angesammeltem Wasser ausgesetzt sein.

TABELLE 1

Schild mit Angabe der Nennspannung @120 V	Länge des Verlängerungskabels					
	25'	50'	75'	100'	150'	200'
	Empfohlener Kabeldurchmesser					
0 - 5	16	16	16	14	12	12
5,1 - 8	16	16	14	12	10	NE
8,1 - 12	14	14	12	10	NE	NE
12,1 - 16	12	12	NE	NE	NE	NE

NE – Nicht empfohlen

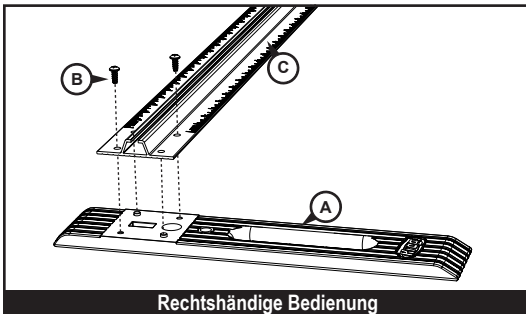
Rip-Cut™-Komponenten

Rip-Cut™ (KMA2685-INT) Teile

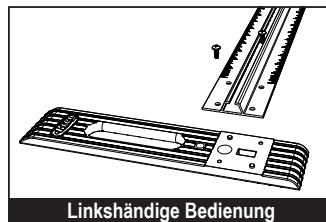
A		1	Kantenführung	H		1	Indexierungsanschlag
B		2	Selbstschneidende Schrauben	I		3	Maschinenschrauben
C		1	Schiene	J		3	Sechskantmuttern
D		1	Abdeckstreifen	K		1	Positionsmarker
E		1	Schlitten	L		1	Keil
F		2	Stellschrauben	M		1	Klappe
G		2	Grundplattenklammern				

Montage

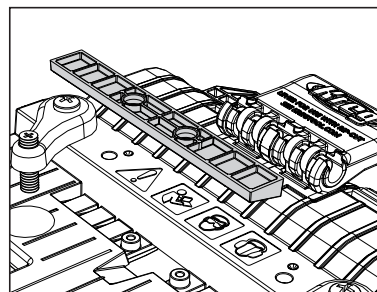
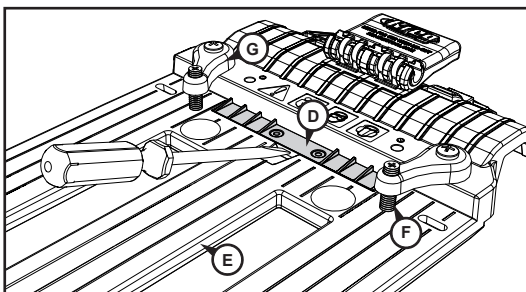
Schritt 1: Befestigen Sie die Kantenführung an der Schiene



Entfernen Sie das Klebeband von der Vertiefung der Kantenführung (A), entfernen Sie die zwei selbstschneidenden Schrauben (B) und nutzen Sie sie, um die Kantenführung an der Schiene (C) zu befestigen. Richten Sie, wie zu gezeig, die Kantenführung für rechts- oder linkshändige Benutzung aus.



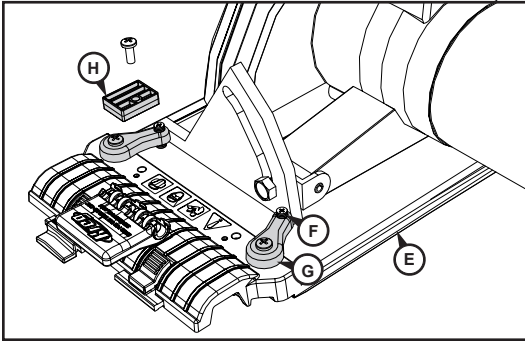
Schritt 2: Richten Sie den Abdeckstreifen aus



Der Abdeckstreifen (D) auf dem Schlitten (E) wird mit der gerippten, angewinkelten Seite nach oben geliefert. Diese Rippen passen an eine Sägegrundplatte mit angewinkelter Vorderkante, sodass die Sägegrundplatte flach auf dem Schlitten liegt, wenn die Stellschrauben (F) in den Grundplattenklammern (G) festgezogen werden. Für eine Sägegrundplatte mit flacher Vorderkante, heben Sie den Abdeckstreifen mithilfe eines Schraubenziehers aus der Vertiefung des Schlittens heraus, drehen Sie ihn um, und drücken Sie ihn zurück in die Vertiefung herein.

Montage

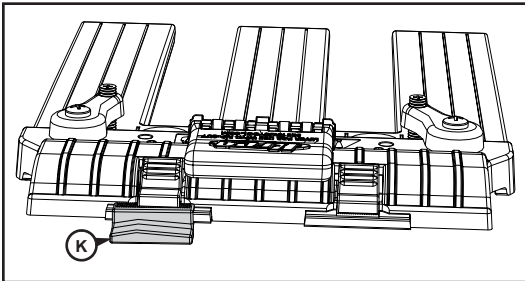
Schritt 3: Montieren Sie die Kreissäge auf dem Schlitten



Nehmen Sie den Indexierungsanschlag (H) vom Schlitten (E) ab. Lockern Sie die Stellschrauben (F) in den Grundplattenklammern (G) und schieben Sie die Grundplatte der Säge darunter. Positionieren Sie die Säge auf dem Schlitten, wobei die Vorderseite der Sägegrundplatte auf der Stufe an der Vorderseite des Schlittens sein sollte. Zentrieren Sie Sägen, die das Sägeblatt auf der linken Seite des Motors haben, im linken Schlittenspalt. Zentrieren Sie Sägen, die das Sägeblatt auf der rechten Seite des Motors haben, im rechten Schlittenspalt. Um für verschiedene Sägegrundplatten anpassbar zu sein, sind je zwei Löcher zum Befestigen der Grundplattenklammern am Schlitten zu finden. Damit die Klemmung sicher ist, wählen sie die Löcher, die so weit wie möglich von einander entfernt sind, wie die Säge es erlaubt. Die Klammern können schräg ausgerichtet sein. Befestigen Sie die Stellschrauben so an der Sägegrundplatte, dass die Säge sicher befestigt ist, doch ziehen Sie die Schrauben nicht zu fest an. Stellen Sie sicher, dass der Sägeblattschutz frei beweglich ist.

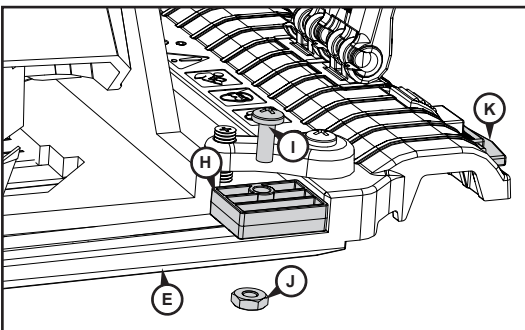
⚠ WARNUNG Bevor Sie die Säge auf den Schlitten montieren, trennen Sie sie von der Stromversorgung.

Schritt 4: Überprüfen Sie die Position des Positionsmarkers



Auf dem Schlitten sind zwei Positionen des Positionsmarkers (K) möglich, die mit den Schlittenspalten korrespondieren. Positionieren Sie den Positionsmarker in der Halterung vor dem Sägeblatt. Um die Seite des Positionsmarkers zu ändern, drücken Sie auf den Halterungsverschluss, schieben Sie den Positionsmarker aus der Halterung heraus, und bringen Sie ihn in der anderen Halterung an.

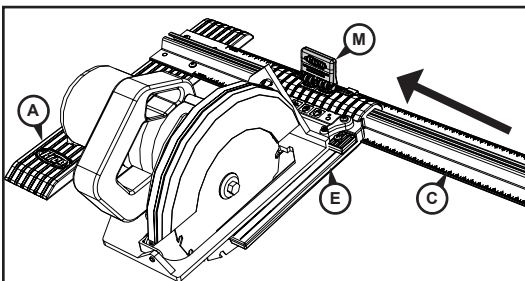
Schritt 5: Bringen Sie den Indexierungsanschlag erneut an



Der Indexierungsanschlag (H) erlaubt es Ihnen, die Säge von der Schlittenvorrichtung abzunehmen und dann wieder in genau der selben Position zu montieren. Positionieren Sie den Indexierungsanschlag an jener Seite der Sägegrundplatte, auf der auch der Positionsmarker (K) ist, und befestigen Sie ihn am Schlitten (E) mit der Maschinenschraube (I) und Mutter (J). Für maximale Positionsflexibilität, ist der Schlitten mit einer Vertiefungen versehen und der Indexierungsanschlag rotiert um 180 °.

⚠ ACHTUNG Die Schlittenvorrichtung ist mit Funktionalitäten ausgestattet, die mit der Produktreihe® Accu-Cut™ kompatibel sind. Zusätzliche Schritte, die in den Accu-Cut™ Produkthandbüchern zu finden sind, sind notwendig, um den Schlitten für die Benutzung auf Accu-Cut-Produkten auszurichten.

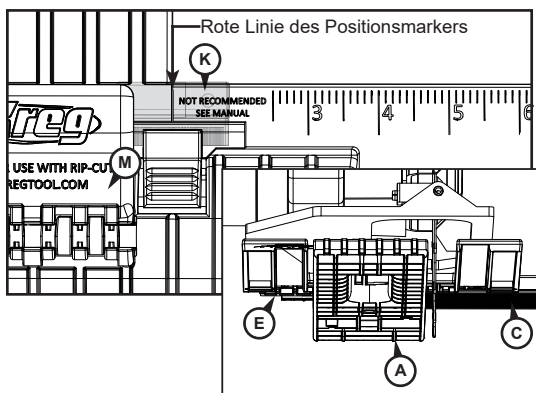
Schritt 6: Schieben Sie den Schlitten auf die Schiene



Mit der Säge am Schlitten (E) befestigt, heben Sie die Klappe (M) in die senkrechte Position an, und schieben Sie den Schlitten so in die Schiene (C), dass der Keil (L) in den Schienenkanal eingesetzt ist. Die Säge und die Kantenführung (A) sollten von der selben Seite der Schiene ausgehen.

Montage

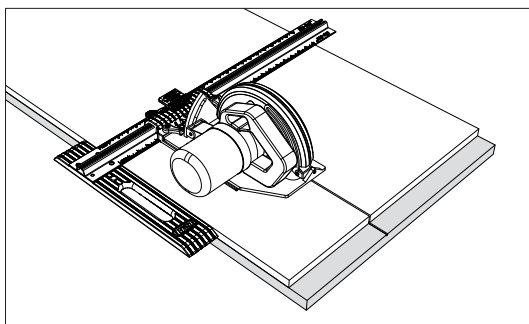
Schritt 7: Richten Sie den Positionsmarker aus und bestimmen Sie die Mindestschnittbreite



Drehen Sie den Sägeblattschutz nach oben und schieben Sie den Schlitten (E) entlang der Schiene (C), bis das Sägeblatt die Kantenführung (A) berührt. Rasten Sie den Schlitten in dieser Position ein, indem Sie die Klappe (M) herunterdrücken. Die Klappe muss nicht vollständig horizontal sein, um sicheres Einrasten zu gewährleisten. Drücken Sie den Verschluss des Positionsmarkers herunter und richten Sie den roten Marker (K) mit der Nullmarkierung auf der Schienenskala aus. Die sichere Mindestschnittbreite kann größer als 2,5 cm (1 Zoll) sein.

⚠️ WARNUNG Auf der Skala ist der Bereich zwischen Null und 25 mm (1 Zoll) markiert mit **Not Recommended, See Manual**. Für die meisten Sägen behindert die Kantenführung die Beweglichkeit des Sägeblattschutzes für Schnitte von weniger als 25 mm (1 Zoll), weswegen solche Schnitte nicht zu unternehmen sind. Nachdem Sie den Positionsmarker ausgerichtet haben, überprüfen Sie die Mindestschnittbreite, indem Sie den Schlitten von der Kantenführung wegschieben, bis der Sägeblattschutz ohne Hindernisse beweglich ist.

So bedienen Sie den Rip-Cut™



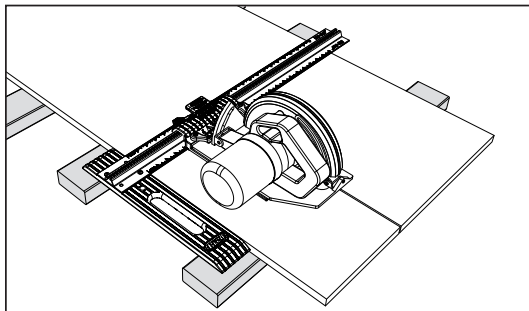
1) Für optimale Resultate, setzen Sie in die Säge ein 40-Zahn Sägeblatt oder besser ein.

2) Ist die Säge auf dem Schlitten montiert, stellen Sie die Schnitttiefe so ein, dass das Sägeblatt 3 mm (1/8 Zoll) über das Arbeitsstück hinausragt.

3) Lösen Sie den Keilverschluss und schieben Sie den Schlitten entlang der Schiene, bis der Positionsmarker an der gewünschten Maßangabe auf der Skala ausgerichtet ist. Rasten Sie den Keilverchluss ein.

4) Stützen Sie Arbeitsstück und Verschnitt komplett auf flach auf den Boden gelegtem 5 cm x 10 cm (2 Zoll x 4 Zoll) Kantholz oder 50 mm (2 Zoll) dicker Hartschaumdämmung ab.

5) Schließen Sie die Säge an die Stromversorgung an. Mit einer Hand auf der Kantenführung und der anderen die Säge haltend, drücken Sie die Kantenführung gegen die Kante des Arbeitsstücks und sägen Sie, indem Sie die Kantenführung und die Säge den ganzen Schnitt über im selben Tempo vorwärts bewegen. Warten Sie, bis das Sägeblatt komplett zum Stillstand kommt, bevor Sie das Rip-Cut™ vom Arbeitsstück heben.



⚠️ WARNUNG Stellen Sie bei schmalen Schnitten sicher, dass die die Kantenführung haltende Hand nicht das Sägeblatt berührt.

Consignes générales de sécurité

⚠ AVERTISSEMENT Lorsque vous utilisez des outils électriques, suivez toujours les consignes de sécurité indiquées ci-dessous afin de réduire le risque d'incendie, de choc électrique et de dommage corporel. Lisez toutes ces consignes avant d'utiliser ce produit. **CONSERVEZ CES CONSIGNES.**

- 1) Mesures de sécurité dans l'aire de travail
 - a) L'aire de travail doit être propre et bien éclairée. Les aires de travail encombrées ou mal éclairées augmentent le risque d'accidents.
 - b) N'utilisez pas d'outils électriques dans un environnement dangereux. N'utilisez pas d'outils électriques dans un endroit humide ou mouillé, ne les exposez pas non plus à la pluie.
 - c) N'utilisez pas d'outils électriques dans des environnements sujets aux risques d'explosion, par exemple en présence de liquides, de gaz ou de poussières inflammables. Les outils électriques produisent des étincelles pouvant enflammer les vapeurs ou les poussières.
 - d) Gardez les enfants et les autres personnes à l'écart lorsque vous utilisez un outil électrique. La moindre distraction peut vous faire perdre la maîtrise de l'outil.
 - e) Empêchez les enfants d'accéder à votre atelier. Utilisez des cadenas et des interrupteurs généraux, ou retirez les clés du commutateur d'allumage.
- 2) Consignes de sécurité relatives à l'électricité
 - a) Branchez les outils électriques sur une prise mise à la terre. Un outil muni d'une fiche à trois broches doit être branché sur une prise de courant tripolaire mise à la terre. Si vous ne disposez pas d'une telle prise, demandez à un électricien qualifié d'en installer une. Ne retirez jamais la troisième broche et ne tentez en aucune façon de modifier la fiche fournie.
 - b) N'exposez pas les outils électriques à la pluie ou à tout autre environnement humide. Les risques de choc électrique sont plus élevés si l'eau s'infiltre dans un outil électrique.
 - c) N'utilisez pas le cordon d'alimentation de façon abusive. Ne transportez jamais un outil électrique en le tenant par son cordon et ne tirez jamais sur le cordon pour le débrancher ou pour toute autre raison. Tenez le cordon d'alimentation éloigné des sources de chaleur, de l'huile, des objets tranchants et des pièces mobiles. Les risques de choc électrique sont plus élevés si le cordon d'alimentation est endommagé ou emmêlé.
 - d) Utilisez une rallonge appropriée et assurez-vous qu'elle est en bon état. Utilisez une rallonge au poids kilométrique suffisamment élevé pour supporter le courant consommé par l'outil. Une rallonge de section insuffisante entraîne une baisse de la tension secteur, qui à son tour provoque une perte de puissance et une surchauffe. Le tableau 1 montre la section appropriée selon la longueur de la rallonge et l'intensité nominale inscrite sur la plaque signalétique de l'outil. En cas de doute, utilisez une rallonge de poids kilométrique supérieur. Si l'unité de mesure est l'AWG, plus le numéro de section est bas, plus le poids du câble est élevé.
 - e) Lorsque vous utilisez des outils électriques, évitez de toucher à des surfaces mises à la terre, par exemple à des tuyaux, radiateurs, cuisinières ou encore à des réfrigérateurs. Le contact de votre corps avec une surface mise à la terre augmente les risques de choc électrique.
- 3) Sécurité personnelle
 - a) Soyez vigilant, prêtez attention à ce que vous faites et faites preuve de discernement lorsque vous utilisez un outil électrique. N'utilisez pas un outil électrique lorsque vous êtes fatigué ou sous l'effet de drogues, d'alcool ou de médicaments. Un moment d'inattention alors que vous utilisez des outils électriques peut occasionner des dommages corporels graves.
 - b) Portez toujours des lunettes de sécurité. Les lunettes ordinaires ne sont pas des lunettes de sécurité. En plus d'être pourvues de coques latérales, les lunettes de sécurité sont munies d'une monture et de verres spéciaux.
 - c) Utilisez des équipements de protection individuelle. Portez un masque facial ou un masque anti-poussières quand la coupe produit beaucoup de poussière. Le port d'équipements de protection individuelle, comme un masque anti-poussières, des chaussures de sécurité antidérapantes, un casque et des protections auditives, lorsque les conditions l'exigent, réduit les risques de dommages corporels.
 - d) Évitez les mises en marche accidentelles de l'outil. Assurez-vous que l'interrupteur de l'outil est à la position d'arrêt avant de le brancher. Le fait de transporter un outil électrique en gardant le doigt sur l'interrupteur ou de le brancher tandis que son interrupteur est en position de marche augmente les risques d'accident.
 - e) Retirez toutes les clés de réglage de l'outil électrique avant de le mettre en marche. Une clé de réglage oubliée sur une pièce rotative de l'outil électrique peut occasionner des dommages corporels.
- 4) Utilisation et entretien d'un outil électrique
 - a) Gardez les protections en place et en état de fonctionnement.
 - b) Ne forcez pas l'outil électrique. Utilisez l'outil électrique adapté à l'utilisation que vous voulez en faire. Un outil approprié exécutera mieux le travail et de façon moins dangereuse s'il fonctionne dans les limites prévues.
 - c) Utilisez le bon outil. Ne tentez pas d'utiliser un outil ou l'un de ses accessoires pour effectuer un travail pour lequel il n'a pas été conçu.
 - d) N'utilisez pas l'outil électrique si l'interrupteur ne fonctionne pas. Tout outil qui ne peut pas être contrôlé par l'interrupteur est dangereux et doit être réparé.
 - e) Débranchez la fiche de la prise ou retirez le bloc-piles/la source d'alimentation de l'outil électrique avant d'effectuer tout réglage, de changer d'accessoire ou de le ranger. Ces mesures de sécurité préventives réduisent les risques de mise en marche accidentelle de l'outil électrique.
 - f) Ne laissez jamais l'outil en marche sans surveillance. Coupez l'alimentation électrique. Ne vous éloignez pas de l'outil tant qu'il ne s'est pas complètement arrêté.
 - g) Rangez les outils électriques inutilisés hors de la portée des enfants et ne laissez pas les personnes n'ayant pas pris connaissance des consignes d'utilisation et de sécurité se servir de l'outil. Les outils électriques sont dangereux s'ils se retrouvent entre les mains d'utilisateurs non avertis.
 - h) Entretenez les outils électriques. Vérifiez les pièces mobiles pour vous assurer qu'elles ne sont pas décalées, enrayées, cassées ou dans un état qui pourrait nuire au bon fonctionnement de l'outil électrique. Si elles sont endommagées, faites-les réparer avant d'utiliser l'outil électrique. De nombreux accidents sont provoqués par des outils électriques mal entretenus.
 - i) Gardez vos outils tranchants affûtés et propres. Des outils tranchants bien entretenus dont les lames sont affûtées risquent moins de se bloquer et sont plus faciles à maîtriser.
 - j) Utilisez la vitesse recommandée pour l'outil de coupe ou l'accessoire et pour la pièce de travail.
 - k) N'utilisez que des pièces et des accessoires recommandés par le fabricant. Consultez la liste des accessoires recommandés dans le guide d'utilisation. L'utilisation d'accessoires inappropriés peut causer des dommages corporels.
 - l) Utilisez l'outil électrique, les accessoires et les embouts conformément à ces consignes et aux fins pour lesquelles ils ont été conçus, en tenant compte des conditions de travail et des tâches à effectuer. L'utilisation de l'outil électrique à des fins autres que celles pour lesquelles il a été conçu risque d'entraîner une situation dangereuse.
- 5) Réparation
 - a) Demandez à un technicien qualifié qui n'utilise que des pièces de rechange identiques aux pièces d'origine d'effectuer l'entretien de votre outil électrique. Vous vous assurez ainsi de respecter les consignes de sécurité de l'outil électrique.

Consignes générales de sécurité

6) CONSIGNES DE SÉCURITÉ SPÉCIFIQUES À L'UTILISATION DU RIP-CUT™

- Avant d'utiliser le Rip-Cut™, assurez-vous de lire, comprendre et respecter les consignes de sécurité et d'utilisation incluses avec ce produit et fournies par le fabricant de votre scie. Maintenez en place l'ensemble des protections et dispositifs de sécurité.
- Portez une protection adéquate pour les yeux, les oreilles et les voies respiratoires lors de l'utilisation de votre scie.
- Utilisez une lame aiguisée conçue pour le type de matériau que vous découpez.
- Débranchez toujours votre scie de l'alimentation électrique avant de procéder aux réglages de votre scie ou de votre Rip-Cut™.
- Vérifiez l'alignement du curseur avant de couper.
- Assurez-vous que la lame de votre scie n'entrera pas en contact avec le guide de positionnement des poignées pendant la découpe.
- Ne procédez à aucune découpe si un élément du chariot du Rip-Cut™ entrave le fonctionnement du protège-lame de la scie.
- Soutenez entièrement la pièce de travail et la partie coupée pour éviter tout enrayage ou recul.
- Réglez la profondeur de coupe de façon à ce que la lame de la scie dépasse de 3 mm de la pièce de travail pendant la découpe.
- Eloignez vos mains de la lame de la scie pendant la découpe. Ne posez pas les mains sous la pièce de travail pendant la découpe.
- Fixez la pièce de travail pour éviter que celle-ci bouge pendant la découpe.
- N'appliquez pas une pression excessive pendant la découpe. Maintenez un rythme régulier et contrôlé.
- Attendez l'arrêt complet de la lame de la scie avant d'enlever le Rip-Cut de la pièce de travail.
- Entretenez vos outils et accessoires. Vérifiez les pièces mobiles pour vous assurer qu'elles ne sont pas décalées, enrayées, desserrées, cassées ou dans un état qui pourrait nuire au bon fonctionnement de l'outil. Si vous constatez un danger, corrigez-le avant d'utiliser l'outil.

7) Recul

Le recul est une réaction soudaine au pincement, au blocage ou au désalignement d'une lame de scie qui entraîne le soulèvement de la scie et sa sortie de la pièce de travail en direction de l'utilisateur.

8) Causes du recul

- Lorsque la lame se coince ou se bloque dans le trait de coupe, elle cale et la réaction du moteur projette rapidement la scie en arrière en direction de l'utilisateur.
- Si la lame se tord ou se désaligne pendant la coupe, les dents à l'arrière de la lame peuvent mordre dans la surface du bois. La lame sort alors du trait de coupe et la scie est propulsée en arrière en direction de l'utilisateur.

Prévention du recul

Le recul est le résultat d'une mauvaise utilisation de l'outil et/ou de procédures ou conditions d'utilisation incorrectes. Il peut être évité grâce à des précautions appropriées.

- Maintenez fermement la scie à deux mains et positionnez votre corps et vos bras de façon à résister aux forces de recul. L'utilisateur peut contrôler les forces de recul en prenant des précautions adéquates.
- Lorsque la lame commence à se bloquer ou lorsque vous interrompez une découpe pour quelque raison que ce soit, relâchez la gâchette et maintenez la scie immobile dans le matériau jusqu'à ce qu'elle soit

complètement arrêtée. Ne tentez jamais de retirer la scie de la pièce de travail ou de la tirer en arrière alors que la lame est en mouvement. Observez ce qui se passe et prenez les mesures qui s'imposent pour supprimer la cause du blocage de la lame.

c) Lorsque vous reprenez la découpe de la pièce de travail, centrez la lame de scie dans le trait et vérifiez que les dents de la scie ne sont pas engagées dans le matériau. Si la lame de la scie se bloque, elle risque de sortir de la pièce de travail et de reculer lors du redémarrage de la scie.

d) Soutenez les panneaux de grande taille pour minimiser le risque de pincement de la lame et de recul. Les panneaux de grande taille tendent à fléchir sous leur propre poids. Des supports doivent être placés sous le panneau des deux côtés de la coupe : près de la ligne de coupe et près du bord du panneau.

e) N'utilisez pas de lame émoussée ou endommagée. Une lame émoussée ou incorrectement aiguisée produit un trait étroit, entraînant une friction excessive, un blocage de la lame et un recul.

f) Les verrous d'ajustement de la profondeur de lame et du biseau doivent être bien serrés avant toute découpe. Tout désajustement de la lame pendant la découpe peut entraîner un blocage et un recul.

g) Soyez particulièrement prudent lorsque vous effectuez une coupe plongeante dans des murs existants, des planchers ou toute autre surface aveugle. La lame qui dépasse peut entrer en contact avec des objets non visibles susceptibles d'engendrer un recul.

Consignes liées à l'utilisation de rallonges

Les rallonges ne doivent servir qu'à un usage temporaire. L'utilisation de rallonges ne doit pas supplanter la nécessité d'installer, au besoin, des prises et un câblage adapté.

Dans l'atelier et sur les chantiers de construction :

- Utilisez des rallonges électriques munies d'un conducteur de mise à la terre en tout temps.
- Protégez les rallonges contre les dommages. Ne les faites pas passer par les portes ou les fenêtres, car celles-ci pourraient se refermer et endommager les rallonges.
- Choisissez des rallonges d'une section minimale de 16 AWG (1,29 mm) qui conviennent aux outils que vous utilisez.
- Inspectez périodiquement les rallonges afin de vous assurer que les fils sont bien isolés et que leur conductivité n'est pas compromise.
- Ne faites pas passer de rallonges dans l'eau et ne les raccordez pas dans des endroits où de l'eau pourrait s'accumuler.

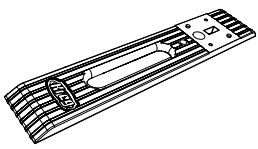
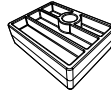


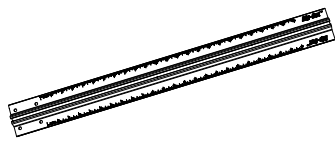


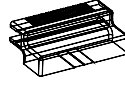
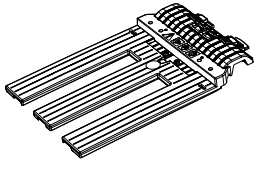
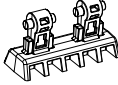



TABLEAU 1

Plaque signalétique Ampères @120 V	Longueur de la rallonge					
	25'	50'	75'	100'	150'	200'
	Section de câble recommandée					
0 - 5	16	16	16	14	12	12
5.1 - 8	16	16	14	12	10	NR
8.1 - 12	14	14	12	10	NR	NR
12.1 - 16	12	12	NR	NR	NR	NR

NR – Non Recommandé

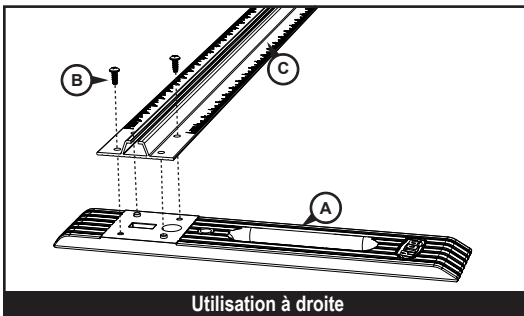
Composants Rip-Cut™

Pièces Rip-Cut™ (KMA2685-INT)

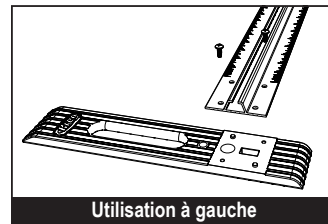
A		1	Guide de rebord	H		1	Butée de positionnement
B		2	Vis autotaraudeuses	I		3	Vis d'assemblage
C		1	Rail	J		3	Écrous hexagonaux
D		1	Bande de remplissage	K		1	Curseur
E		1	Chariot	L		1	Cale
F		2	Vis de réglage	M		1	Poignée
G		2	Pincettes de la plaque de base				

Montage

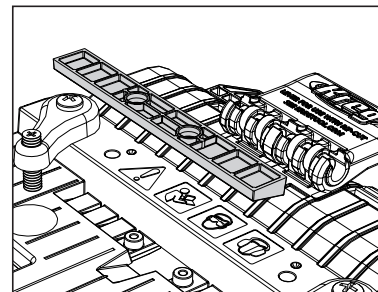
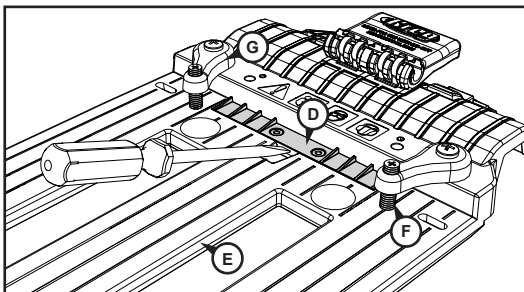
Étape 1 : Raccordez le guide de rebord au rail



Retirez le ruban transparent couvrant le renforcement du guide de rebord (A), retirez les deux vis autotaraudeuses (B) et utilisez-les pour fixer le guide de rebord au rail (C). Orientez le guide de rebord pour une utilisation de la main droite ou de la main gauche, comme indiqué sur le schéma.



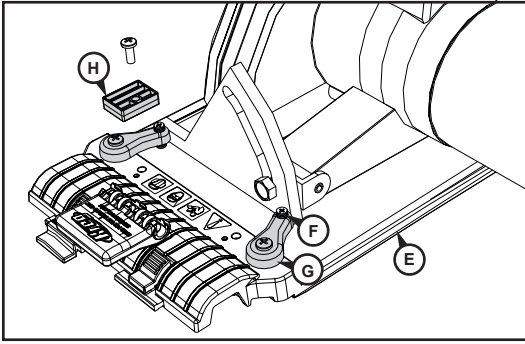
Étape 2 : Orientez la bande de remplissage



La bande de remplissage (D) sur le chariot (E) est expédiée avec les nervures inclinées orientées vers le haut. Ces nervures supportent une base de scie avec un rebord incliné, tout en maintenant la base de la scie à plat sur le chariot lorsque les vis de réglage (F) sont serrées dans les pincettes de la plaque de base (G). Pour une base de scie avec un rebord plat, soulevez la bande de remplissage du chariot à l'aide de la pointe d'un tournevis, tournez-la pour exposer la face plate et enfoncez-la dans le renforcement.

Montage

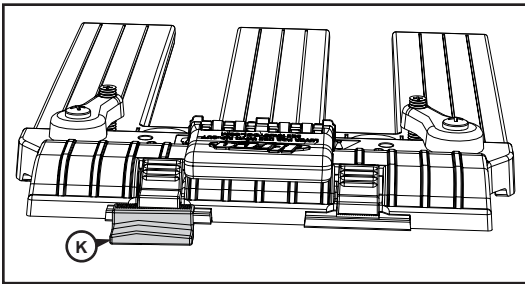
Étape 3 : Montez votre scie circulaire sur le chariot



Retirez la butée de positionnement (H) du chariot (E). Desserrez les vis de réglage (F) des pinces de la plaque de base (G) et faites glisser la plaque de base de votre scie dessous. Positionnez la scie sur le chariot en plaçant l'avant de la plaque de base de la scie contre la butée située à l'avant du chariot. Pour les scies dont la lame est située à l'arrière gauche du moteur, centrez la lame dans la fente gauche du chariot. Pour les scies dont la lame est située à l'arrière droit du moteur, centrez la lame dans la fente droite du chariot. Afin de permettre plusieurs configurations, les plaques de base de scie sont munies de deux trous pour la fixation sur le chariot. Pour garantir la fixation la plus sécuritaire possible, choisissez les trous offrant le plus large espacement permis par votre scie. Les pinces peuvent être placées en angle. Serrez les vis de réglage sur la plaque de base de la scie pour maintenir la scie en toute sécurité, mais ne serrez pas trop fort. Assurez-vous que le protège-lame de scie fonctionne librement.

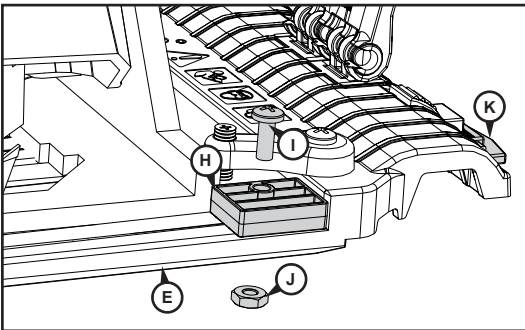
⚠ AVERTISSEMENT Débranchez la scie de son alimentation électrique avant de la monter sur le chariot.

Étape 4 : Vérifiez la position du curseur



Le curseur (K) peut être réglé de deux façons différentes, qui correspondent aux deux fentes du chariot. Placez le curseur sur le support face à la lame de la scie. Pour changer la position du curseur, appuyez sur le verrou du support, glissez le curseur hors du support et réinstallez-le dans l'autre support.

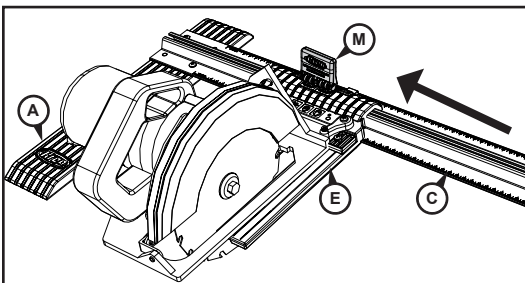
Étape 5 : Réinstallez la butée de positionnement



La butée de positionnement (H) vous permet de retirer la scie du chariot puis de la replacer exactement au même endroit. Placez la butée de positionnement sur la paroi de la base de la scie du même côté que le curseur (K) et fixez-la au chariot (E) à l'aide de la vis d'assemblage (I) et de l'écrou (J). Pour une flexibilité maximale de positionnement, le chariot est rainuré et la butée de positionnement pivote à 180°.

⚠ ATTENTION Le chariot est équipé d'éléments adaptés à la gamme de produits Kreg® Accu-Cut™. Des étapes supplémentaires, indiquées dans les manuels d'utilisation des produits Accu-Cut™, sont nécessaires pour calibrer le chariot en cas d'utilisation sur les produits Accu-Cut.

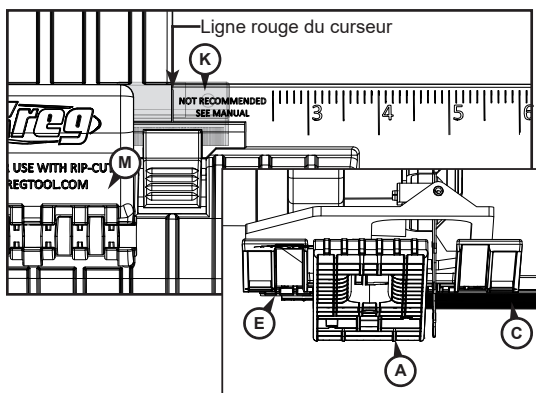
Étape 6 : Glissez le guide de rebord sur le rail



En vous assurant que votre scie est bien fixée au chariot (E), levez la poignée (M) en position verticale et glissez le chariot sur le rail (C), tout en insérant la cale (L) dans la rainure du rail. La scie et le guide de rebord (A) devraient se prolonger à partir du même rebord du rail.

Montage

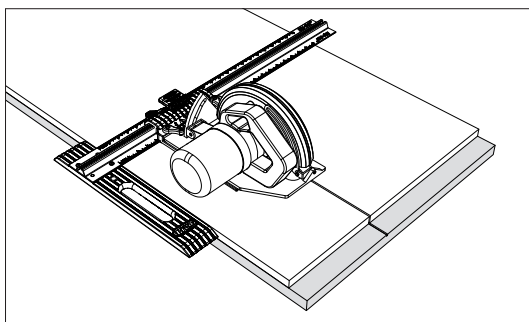
Étape 7 : Alignez le curseur et choisissez la plus petite coupe



Tournez le protège-lame de la scie et glissez le chariot (E) le long du rail (C) jusqu'à ce que la lame effleure le guide de rebord (A). Fixez le chariot en place en appuyant sur la poignée (M). Il n'est pas nécessaire que la poignée soit complètement à l'horizontale pour être fixée de façon sécuritaire. Appuyez sur le verrou du curseur et alignez le curseur rouge (K) à la marque du zéro sur l'échelle du rail. La coupe sécuritaire maximale peut être supérieure à 25 mm (1").

⚠ AVERTISSEMENT Sur l'échelle, il est écrit Not Recommended (non recommandé) sur la zone située entre 0 et 1" [25mm], consultez le guide d'utilisation. Sur la plupart des scies, le guide de rebord altère le bon fonctionnement du protège-lame lors de coupes de moins de 25 mm (1"). Par conséquent, évitez d'effectuer des coupes de cette dimension. Une fois le curseur aligné, vérifiez la largeur minimale de coupe sécuritaire en éloignant le chariot du guide de rebord jusqu'à ce que le protège-lame fonctionne correctement.

Utilisation du Rip-Cut™

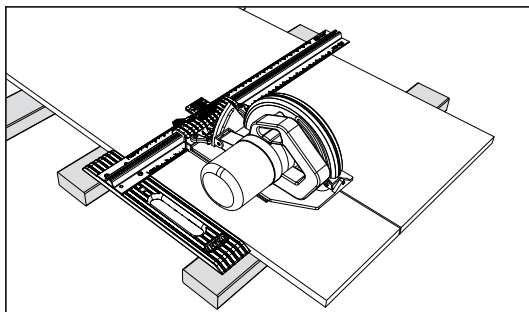


1) Pour de meilleurs résultats, installez sur votre scie une lame de 40 dents ou mieux.

2) Après avoir fixé la scie sur le chariot, réglez la profondeur de coupe de façon à ce que la lame dépasse de 3 mm (1/8") de la pièce à usiner pendant la découpe.

3) Déverrouillez la cale et glissez le chariot le long du rail jusqu'à l'alignement du curseur avec la dimension choisie. Verrouillez la cale.

4) Assurez-vous que la pièce à usiner et la partie coupée sont entièrement soutenues à l'aide de planches de 2 x 4 ou d'un isolant en mousse rigide d'une épaisseur de 50 mm (2") placé sur le sol.



5) Branchez votre scie sur l'alimentation électrique. Avec une main sur le guide de rebord et l'autre sur la scie, appuyez le guide de rebord contre le bord de votre pièce à usiner et coupez en avançant le guide de rebord et la scie à la même vitesse sur toute la longueur de la pièce. Attendez l'arrêt complet de la lame de la scie avant d'enlever le Rip-Cut™ de la pièce à usiner.

⚠ AVERTISSEMENT Lorsque vous coupez des pièces étroites, assurez-vous que la main tenant le guide de rebord n'entre pas en contact avec la lame.

Normas generales de seguridad

⚠ ADVERTENCIA Al utilizar herramientas eléctricas, cumpla siempre las normas de seguridad a continuación para disminuir el riesgo de incendio, descargas eléctricas y daños personales. Lea estas instrucciones antes de intentar poner en funcionamiento este producto. **GUARDE ESTAS INSTRUCCIONES.**

1) Seguridad de la zona de trabajo

- Mantenga la zona de trabajo limpia y bien iluminada. Las zonas desordenadas u oscuras propenden a los accidentes.
- No use herramientas eléctricas en entornos peligrosos. No use herramientas eléctricas en lugares húmedos o mojados, ni las esponja a la lluvia.
- No trabaje con herramientas eléctricas en atmósferas explosivas, por ejemplo en presencia de líquidos, gases o polvos inflamables. Las herramientas eléctricas provocan chispas que pueden encender humos o polvo.
- Mantenga a los niños y los espectadores apartados cuando esté utilizando una herramienta eléctrica. Las distracciones pueden hacerle perder el control.
- Equipe su taller de forma que los niños no puedan hacerse daño. Use candados, interruptores generales o extraiga llaves de arranque.

2) Seguridad eléctrica

- Ponga las herramientas eléctricas a tierra. Si la herramienta está equipada con un enchufe de tres clavijas, deberá conectarse a una toma eléctrica de tres orificios. Si no hay disponible un enchufe adecuado, haga que un electricista cualificado instale uno. Nunca desmonte la tercera clavija ni modifique el enchufe suministrado en modo alguno.
- No exponga las herramientas eléctricas a la lluvia ni a condiciones de humedad. El agua que penetra en una herramienta eléctrica aumenta el riesgo de descarga eléctrica.
- No abuse del cable. Nunca use el cable para transportar, tirar o desenchufar la herramienta eléctrica. Mantenga el cable alejado del calor, el aceite, los bordes afilados y las piezas móviles. Los cables dañados o enredados aumentan el riesgo de descarga eléctrica.
- Use un cable alargador adecuado y asegúrese de que se encuentre en buenas condiciones. Cuando use un cable alargador, asegúrese de usar uno con la sección suficiente para soportar la corriente que consume su herramienta eléctrica. Un cable de capacidad insuficiente provoca una caída en la tensión de la línea que se traduce en pérdidas de potencia y sobrecalentamientos. La tabla 1 muestra la sección de cable correcta en función de la longitud del cable y el amperaje nominal de la herramienta. En caso de duda, utilice la siguiente sección superior. Cuanto menor es el número de calibre, mayor es la sección del cable.
- Cuando utilice herramientas eléctricas, evite el contacto con superficies puestas a tierra, por ejemplo tuberías, radiadores, electrodomésticos de cocina y neveras. El contacto con una superficie puesta a tierra aumenta el riesgo de descarga eléctrica.

3) Seguridad personal

- Manténgase alerta, vigile lo que esté haciendo y aplique el sentido común cuando utilice una herramienta eléctrica. No utilice herramientas eléctricas si está cansado o si está bajo la influencia de drogas, alcohol o medicamentos. Un momento de descuido mientras utiliza una herramienta eléctrica puede tener como resultado lesiones graves.
- Use siempre gafas de seguridad. Las gafas corrientes no son gafas de seguridad. Estas tienen lentes, monturas y anteojeras especialmente diseñadas.
- Use equipo de seguridad personal. Use una mascarilla o una mascarilla de polvo cuando la operación de corte genera mucho polvo. El equipo de seguridad, por ejemplo mascarillas antipolvo, calzado de seguridad antideslizante, cascos o tapones para los oídos, usado para crear las condiciones adecuadas, reduce las lesiones.
- Evite los arranques accidentales. Asegúrese de que el interruptor esté en posición de apagado antes de enchufar. Transportar herramientas eléctricas con el dedo en el interruptor o enchufar herramientas eléctricas con el interruptor encendido propende a los accidentes.
- Extraiga las llaves de ajuste antes de encender la herramienta eléctrica. Una llave acoplada a una pieza rotatoria de la herramienta eléctrica puede tener como resultado lesiones.
- No fuerce su posición. Mantenga los pies apoyados y el equilibrio en todo momento. Esto permite controlar la herramienta eléctrica en situaciones inesperadas.
- Asegure las piezas de trabajo. Use una mordaza o un tornillo de banco para sostenerlas cuando le resulte más práctico. Esto es más seguro que usar la mano y le deja las manos libres para manejar la herramienta.

h) Nunca permanezca de pie sobre la máquina. Puede sufrir lesiones graves si la herramienta se vuelca o si la herramienta de corte se pone en marcha por descuido.

- Vístase adecuadamente. No lleve ropa ni joyería sueltas. Mantenga el pelo, la ropa y los guantes alejados de las piezas móviles. La ropa holgada, la joyería o el pelo largo pueden quedar atrapados en las piezas móviles. Remánguese hasta el codo. Póngase un gorro de protección si lleva el pelo largo.
- Si dispone de dispositivos para la conexión de equipos de extracción y recogida de polvo, asegúrese de que estén conectados y úselos adecuadamente. El uso de estos dispositivos puede reducir los riesgos relacionados con el polvo.

4) Uso y cuidado de la herramienta eléctrica

- Mantenga las cubiertas en su lugar y en condiciones adecuadas de trabajo.
- No fuerce la herramienta eléctrica. Use la herramienta eléctrica adecuada a su aplicación. La herramienta eléctrica correcta le permitirá hacer el trabajo mejor y de forma más segura a la velocidad para la que fue diseñada.
- Use la herramienta adecuada. No fuerce una herramienta o accesorio para hacer un trabajo para el que no fueron diseñados.
- No use la herramienta eléctrica si el interruptor no permite apagarla y encenderla. Cualquier herramienta eléctrica que no se pueda controlar con el interruptor es peligrosa y debe repararse.
- Desconecte el enchufe de la toma eléctrica y/o la batería de la herramienta eléctrica antes de efectuar cualquier ajuste, cambiar de accesorio o almacenar la herramienta eléctrica. Estas medidas de seguridad preventivas reducen el riesgo de encender la herramienta eléctrica accidentalmente.
- Nunca deje desatendida una herramienta encendida. Apague la alimentación. No suelte la herramienta hasta que se haya parado completamente.
- Guarde las herramientas que no utilice fuera del alcance de los niños y no permita que personas que desconozcan el funcionamiento de la herramienta eléctrica y estas instrucciones utilicen la herramienta eléctrica. Las herramientas eléctricas son peligrosas en manos de usuarios no cualificados.
- Mantenga las herramientas eléctricas en buen estado. Compruebe que no haya desalineación o adhesión de piezas móviles, piezas rotas, así como cualquier otra condición que pueda afectar al funcionamiento de la herramienta eléctrica. Si está dañada, la herramienta eléctrica debe repararse antes de volver a usarse. Muchos accidentes son consecuencia de herramientas eléctricas mal mantenidas.
- Mantenga las herramientas de corte afiladas y limpias. Una herramienta de corte mantenida correctamente con los bordes afilados tiene menos probabilidad de encasquillarse y es más fácil de controlar.
- Use la velocidad recomendada para la herramienta de corte o el accesorio y el material de la pieza de trabajo.
- Use solo piezas y accesorios recomendados por el fabricante. Consulte los accesorios recomendados en el manual del propietario. Usar accesorios inadecuados puede ser causa de lesiones.
- Use la herramienta eléctrica, los accesorios y las brocas conforme a estas instrucciones y de la forma prevista para el tipo concreto de herramienta eléctrica teniendo en cuenta las condiciones de trabajo y la tarea que debe llevarse a cabo. Usar la herramienta eléctrica para tareas diferentes de las previstas puede resultar en una situación peligrosa.

5) Reparación

- Confíe la reparación de la herramienta eléctrica a personal cualificado y utilice únicamente piezas de recambio idénticas. Esto garantiza el mantenimiento de la seguridad de la herramienta eléctrica.

6) INSTRUCCIONES ESPECÍFICAS DE SEGURIDAD PARA UTILIZAR LA RIP-CUT™

- Antes de usar la Rip-Cut™, lea, comprenda y respete las advertencias de seguridad y las instrucciones de funcionamiento que se incluyen con este producto y que el fabricante de su sierra le proporciona. Mantenga todos los protectores y los dispositivos de seguridad en su lugar.

Normas generales de seguridad

- b) Use protección adecuada para los ojos, los oídos y el sistema respiratorio cuando utilice la sierra.
- c) Utilice una hoja afilada y diseñada para el tipo de material que está cortando.
- d) Desconecte siempre la sierra de la fuente de alimentación antes de realizar ajustes a la sierra o a la Rip-Cut™.
- e) Verifique el alineamiento del cursor antes de cortar.
- f) Asegúrese de que la hoja de la sierra no entre en contacto con la guía de borde durante el corte.
- g) No intente cortar cuando alguna parte de la pieza deslizante de la Rip-Cut™ interfiera con el funcionamiento del protector de la hoja de la sierra.
- h) Apoye firmemente tanto la pieza de trabajo como la pieza que corta para evitar atascos y retrocesos.
- i) Ajuste la profundidad del corte de forma que la hoja de la sierra sobresalga 1/8" [3 mm] de la pieza de trabajo durante el corte.
- j) Mantenga las manos alejadas de la hoja de la sierra durante el funcionamiento. No llegue hasta la parte inferior de la pieza de trabajo mientras corta.
- k) Fije la pieza de trabajo para asegurar que no se mueva durante el corte.
- l) No ejerza demasiada fuerza cuando corte. Mantenga un ritmo estable y controlado.
- m) Permita que la hoja de la sierra se detenga completamente antes de levantar la Rip-Cut de su pieza de trabajo.
- n) Mantenga en buen estado las herramientas y accesorios. Compruebe que no haya desalineación o adhesión de piezas móviles, sujeciones sueltas, piezas rotas, así como cualquier otra condición que pueda afectar el funcionamiento seguro. Si descubre una condición insegura, corríjala antes del uso.

7) Retroceso

El retroceso es una reacción repentina a una hoja de sierra mal alineada, trabada o apresada, que provoca que la sierra se descontrola, se eleve y se salga de la pieza de trabajo en dirección al operario.

8) Causas del retroceso

- a) Cuando la hoja está muy trabada o apresada por la cercanía de la vía, se para y la reacción del motor empuja la unidad hacia el operario de forma rápida.
- b) Si la hoja se tuerce o se alinea mal durante el corte, es posible que los dientes del borde trasero de la hoja se claven en la superficie de la madera, de manera que la hoja se salga completamente de la vía y empuje la sierra hacia el operario.

Prevención del retroceso

El retroceso es el resultado del mal uso de la herramienta o de las condiciones o procedimientos de uso incorrectos, que se pueden evitar si se toman las precauciones adecuadas.

- a) Agarre con firmeza la sierra con las dos manos y coloque su cuerpo y sus brazos de manera que aguanten la fuerza del retroceso.

El operario puede controlar la fuerza del retroceso si se toman las precauciones adecuadas.

- b) Cuando la hoja empiece a atascarse o cuando un corte se pare por algún motivo, suelte el gatillo y deje de mover la sierra en el material hasta que la hoja se pare por completo. Nunca intente retirar la sierra de la pieza de trabajo o tirar de ella hacia atrás mientras la hoja esté en movimiento. Estudie la situación y tome medidas correctivas para eliminar los motivos por los que la hoja se queda atascada.

- c) Cuando reinicie la sierra en la pieza de trabajo, centre la hoja de la sierra en la vía y compruebe que los dientes no se hayan atascado en el material. Si la hoja de la sierra se atasca, es posible que se salga de la pieza de trabajo y retroceda al reiniciar la sierra.
- d) Sostenga los paneles de gran tamaño para evitar que la hoja se trabo o retroceda. Los paneles grandes suelen combarse con su propio peso. Los soportes se deben colocar debajo del panel y a ambos lados del corte: cerca de la línea de corte y del borde del panel.

- e) No utilice una hoja roma o dañada. Una hoja roma o mal afilada produce una vía estrecha, lo que causa una fricción excesiva, que la hoja se quede atascada y el retroceso.
- f) Los bloqueos de ajuste de profundidad y de bisel de la cuchilla deben estar apretados y fijados antes de realizar un corte. Si el ajuste de la hoja cambia durante el corte, podría atascarse y retroceder.
- g) Tenga especial precaución al hacer un corte por penetración en paredes, suelos u otros puntos ciegos existentes. La hoja que sobresale puede entrar en contacto con objetos inadvertidos que pueden causar el retroceso.

Directrices para el uso de cables alargadores

Los cables alargadores solo deben utilizarse temporalmente. No solventan la necesidad de instalar un enchufe y un cableado adecuado en caso de necesidad.

En tiendas y obras de construcción:

1. Deben usarse cables alargadores con equipamiento de toma de tierra en todo momento.
2. Los cables alargadores deben protegerse de daños y no discurrir por vanos de puertas o ventanas donde dichas puertas o ventanas puedan cerrarse, ya que esto ocasionaría daños en el cable.
3. Los cables alargadores deben tener un calibre mínimo de 16 AWG y tener la categoría adecuada al equipamiento con el que se van a usar.
4. Los cables alargadores deben inspeccionarse periódicamente para garantizar que el aislamiento y la conductividad de los cables no se hayan visto comprometidos.
5. Los cables alargadores no deben tenderse a través de masas de agua y no debe permitirse que las conexiones se vean expuestas a ellas.

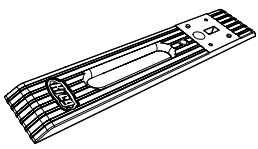
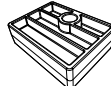






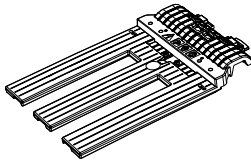
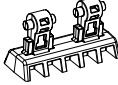



TABLA 1

Amperaje nominal @120 V	Longitud de cables alargadores					
	25'	50'	75'	100'	150'	200'
	Sección de cable recomendada					
0 - 5	16	16	16	14	12	12
5,1 - 8	16	16	14	12	10	NR
8,1 - 12	14	14	12	10	NR	NR
12,1 - 16	12	12	NR	NR	NR	NR

NR: no recomendado

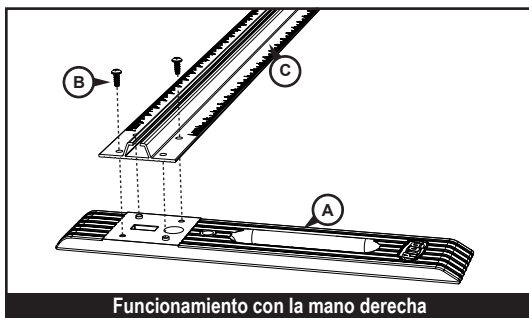
Componentes de Rip-Cut™

Piezas de Rip-Cut™ (KMA2685-INT)

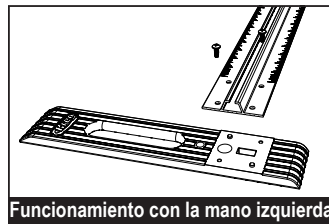
A		1	Guía de bordeado	H		1	Tope de indexación
B		2	Tornillos de rosca cortante	I		3	Tornillos mecanizados
C		1	Rail	J		3	Tuercas hexagonales
D		1	Tira de relleno	K		1	Cursor
E		1	Pieza deslizante	L		1	Cuña
F		2	Tornillos de tope	M		1	Empuñadura
G		2	Abrazaderas de la placa de la base				

Montaje

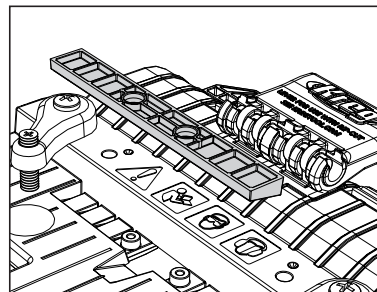
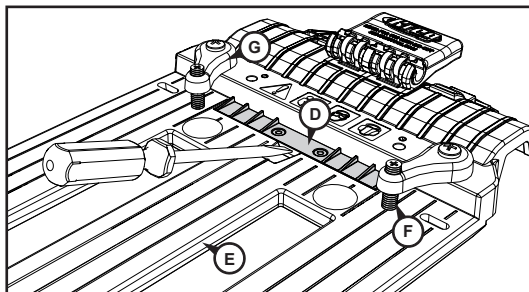
Paso 1: Conecte la guía de bordeado al rail



Retire la cinta transparente que cubre el hueco del extremo de la guía (A), desmonte los dos tornillos de rosca cortante (B) y utilícelos para fijar la guía de bordeado al rail (C). Oriente la guía de bordeado para su funcionamiento con la mano derecha o con la mano izquierda tal y como se muestra.



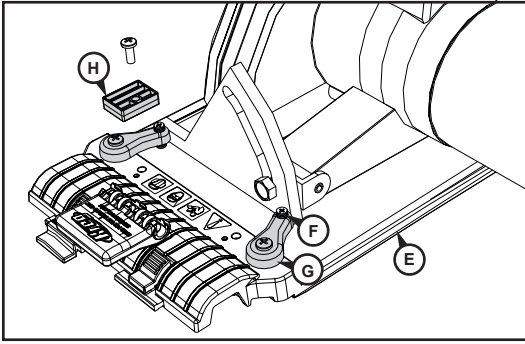
Paso 2: Oriente la tira de relleno



La tira de relleno (D) de la pieza deslizante (E) se envía con los nervios en L orientados hacia arriba. Estos nervios soportan una base de sierra con un ángulo de borde de ataque, manteniendo la base de la sierra plana en la pieza deslizante cuando los tornillos de tope (F) en las abrazaderas de la placa de la base (G) están apretados. Para bases de sierra con borde de ataque plano, levante la tira de relleno del hueco de la pieza deslizante con la punta de un destornillador, gírela para dejar expuesta la cara plana y presione para meterla en el hueco.

Montaje

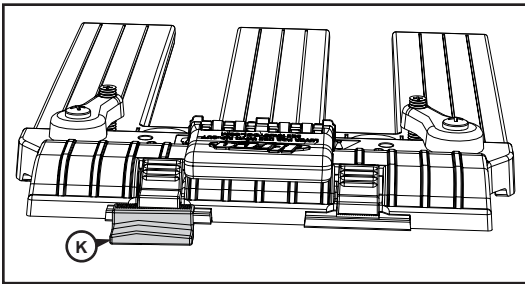
Paso 3: Monte la sierra circular en la pieza deslizable



Desmonte el tope de indexación (H) de la pieza deslizable (E). Afloje los tornillos de tope (F) de las abrazaderas de la placa de la base (G) y deslice la placa de la base de la sierra por debajo de ellas. Coloque la sierra en la pieza deslizable con la parte frontal de la placa de la base de la sierra contra el desnivel de la parte frontal de la pieza deslizable. Para las sierras que tengan la hoja en el extremo izquierdo del motor, centre la hoja en la ranura de la pieza deslizable izquierda. Para las sierras que tengan la hoja en el extremo derecho del motor, centre la hoja en la ranura de la base de la sierra, hay dos orificios para cada abrazadera de la placa de la base a la pieza deslizable. Para obtener la sujeción más segura, escoja los orificios que brinden el mayor espaciado que su sierra permita. Las abrazaderas se pueden orientar con ángulo. Apriete los tornillos de tope en la placa de la base de la sierra para sujetar la sierra de forma segura, pero no los apriete demasiado. Asegúrese de que el protector de la hoja de la sierra funcione libremente.

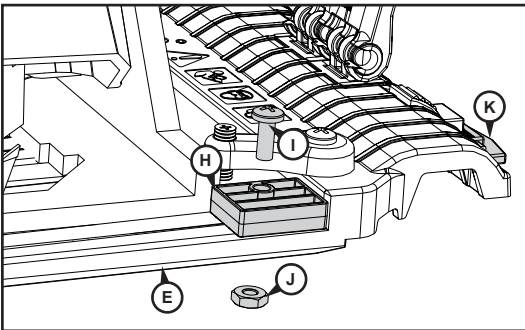
⚠ ADVERTENCIA Desconecte la sierra de la alimentación antes de montarla en la pieza deslizable.

Paso 4: Compruebe la posición del cursor



Hay dos posiciones en la pieza deslizable para el cursor (K) que corresponden a las dos ranuras de la misma. Coloque el cursor en la manija en frente de la hoja de la sierra. Para cambiar la posición del cursor, presione el bloqueo de la manija, deslice el cursor hasta sacarlo de la manija y vuelva a instalarlo en la otra manija.

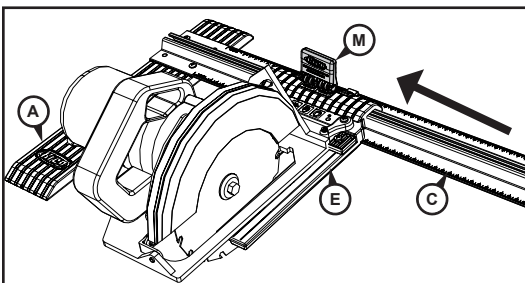
Paso 5: Vuelva a instalar el tope de indexación



El tope de indexación (H) le permite retirar la sierra del conjunto de la pieza deslizable y después volver a montarla exactamente en la misma posición. Coloque el tope de indexación contra la base de la sierra al mismo lado que el cursor (K) y fíjelo a la pieza deslizable (E) con el tornillo mecanizado (I) y la tuerca (J). Para conseguir la máxima flexibilidad de colocación, la pieza deslizable está ranurada y el tope de indexación tiene una capacidad de rotación de 180°.

⚠ ATENCIÓN El conjunto de la pieza deslizable está equipado con características que son funcionales con la familia de productos Kreg® Accu-Cut™. Los pasos adicionales, que se describen en los manuales de los productos Accu-Cut™, son necesarios para calibrar la pieza deslizable para usarla en los productos Accu-Cut.

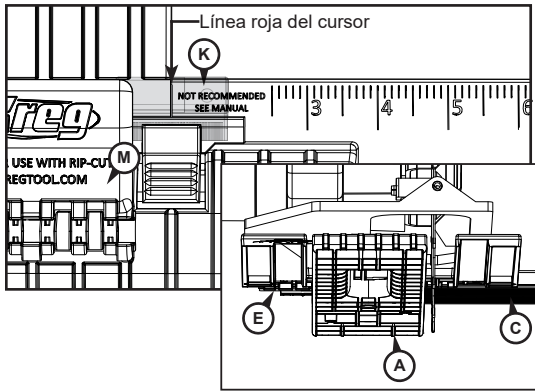
Paso 6: Deslice la pieza deslizable por el raíl



Con la sierra fijada con bridas a la pieza deslizable (E), levante la empuñadura (M) hasta la posición vertical y deslice la pieza deslizable en el raíl (C), insertando la cuña (L) en el canal del raíl. La sierra y la guía de bordeado (A) deberían prolongarse desde el mismo extremo del raíl.

Montaje

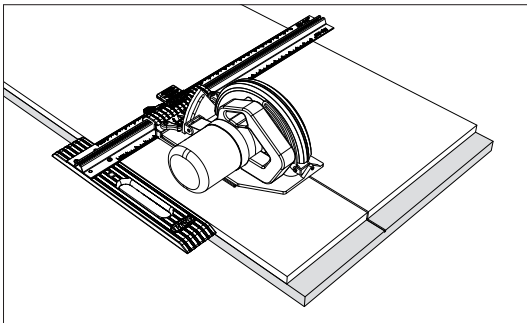
Paso 7: Alinee el cursor y fije el corte más estrecho



Gire el protector de la hoja de la sierra hacia arriba y deslice la pieza deslizante (E) a lo largo del raíl (C) hasta que la hoja toque la guía de bordeado (A). Bloquee la pieza deslizante en su ubicación presionando sobre la empuñadura (M). La empuñadura no tiene que estar en posición completamente horizontal para que el bloqueo sea seguro. Presione el bloqueo del cursor y alinee el cursor rojo (K) que tiene la marca de cero en la escala del raíl. El corte seguro mínimo puede ser mayor que 1".

⚠ ADVERTENCIA En la escala, la zona entre el cero y el 1" [25 mm] está marcada con **No Recomendado**, consulte el manual. En la mayoría de las sierras la guía de bordeado interfiere con el funcionamiento del protector de la hoja en cortes inferiores a 1" [25 mm], por lo que no se debe intentar realizar dichos cortes. Después de alinear el curso, compruebe la anchura mínima de corte seguro al retirar la pieza deslizante de la guía de bordeado hasta que el protector de la hoja funcione sin interferencias.

Uso de la herramienta Rip-Cut™



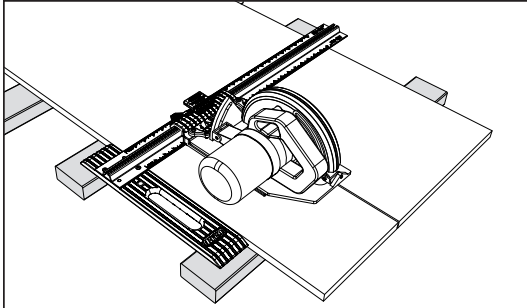
1) Para conseguir resultados óptimos instale una hoja de 40 dientes, o una mejor, en la sierra.

2) Con la sierra montada en la pieza deslizante, ajuste la profundidad del corte de forma que la hoja de la sierra sobresalga 1/8" [3mm] de la pieza de trabajo durante el corte.

3) Libere el bloqueo de la cuña y desplace la pieza deslizante sobre el raíl hasta que el cursor este alineado con la dimensión de la escala deseada. Active el bloqueo de la cuña.

4) Apoye completamente la pieza de trabajo y la pieza que corta con un aislamiento de espuma rígida de 2 x 4s o 2" [50 mm] de espesor, extendida en el suelo.

5) Conecte la sierra a la alimentación eléctrica. Con una mano en la guía de bordeado y con la otra sujetando la sierra, empuje la guía de bordeado hasta el extremo de la pieza de trabajo y realice su corte moviendo la guía de bordeado y la sierra hacia delante a la misma velocidad durante todo el corte. Permita que la hoja de la sierra se detenga completamente antes de levantar la Rip-Cut™ de la pieza de trabajo.



⚠ ADVERTENCIA Al realizar cortes estrechos, asegúrese de que la mano que sujeta la guía de bordeado no entre en contacto con la hoja.



A series of horizontal lines forming a ruled writing area. The lines are evenly spaced and extend across the width of the page.



Lined writing area consisting of 25 horizontal lines.



www.kregtool.com • 800.447.8638

For assistance with any Kreg product, contact us through our Web site or call Customer Service.
Für Hilfe mit Kreg Produkten, kontaktieren Sie uns über unsere Website oder rufen Sie den Kundenservice an.
Si vous avez besoin d'aide concernant les produits Kreg, communiquez avec nous
sur notre site Web ou appelez notre service à la clientèle.
Si requiere asistencia con cualquier producto Kreg, póngase en contacto
con nosotros a través del sitio web o llame al Servicio al Cliente.